



sinks & taps
2015 / 2016

Caple guarantees

For peace of mind, we provide the following guarantees on our sinks, taps and waste disposers.

Sinks:	5 year guarantee against manufacturing defects
Taps:	5 year guarantee on coatings and finishes 5 year guarantee on moving parts and valves 5 year guarantee on stainless steel finish
Waste disposers:	2 year guarantee on WDU050 2 year guarantee on WDU075 3 year guarantee on WDU100

Subject to terms and conditions

Issue: CST0915

Every effort has been made to reproduce colours and materials accurately, however due to the photography and print processes, colour variations may occur.

Due to our continued product development policy, we reserve the right to modify product specifications and/or dimensions without notice.

Please contact your retailer, call Caple direct on 0117 938 1900, email info@caple.co.uk, or visit our website at www.caple.co.uk for further product information.

E & O E

After Sales Customer Support

Year 1-5 Caple – telephone 0117 938 1900

All Caple accessories are available to buy online at www.caple.co.uk

Your home, your style

The finishing touches can make all the difference when it comes to creating your dream kitchen. Caple sinks are made in ceramic, granite, glass or stainless steel and our taps range from the classic to the hi-tech. They bring your kitchen to life by combining practicality with style, whatever your taste or budget.

Contents

The choice is yours	4	Stainless steel sinks	56
Traditional tastes	6	Inset sinks	58
Modern and minimal	8	Zero individual and multiple bowls	69
Ceramic sinks	10	Mode individual and multiple bowls	73
Farmhouse sinks	12	Form individual and multiple bowls	79
Inset and undermounted sinks	20	Sink accessories	87
Individual bowls	27	Taps	90
Granite sinks	32	The inside story	92
Material innovations	34	Which type of tap?	94
Sotera inset sinks	36	Vapos taps	98
Canis inset sinks	40	Puriti taps	102
Veis inset sinks	44	Pull-out taps	108
Leesti individual and multiple bowls	48	Single control taps	116
Glass sinks	50	Dual control taps	128
Vitrea inset sinks	52	Waste disposers	141
		Our guarantees	143

the choice is yours

Whatever kitchen design you've decided on, Caple has the perfect sink and tap to set it off. Making some key decisions now will help you find just the right combination.

Think about sinks

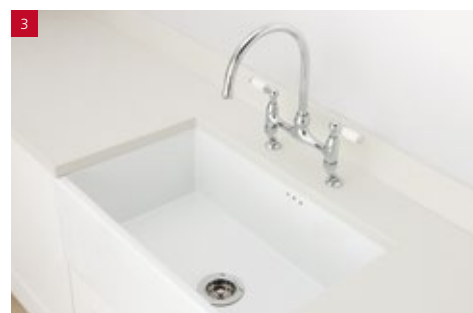
People use sinks in many different ways. Do you require a drainer? How many bowls do you need and what sizes will be most useful? How about the space you have available? Now turn your attention to style. What will go best with your kitchen? Finally, you need to choose the finish – traditional ceramic, contemporary stainless steel, luxurious glass or practical granite?

Time to talk taps

With Caple, a tap is not just a tap. You need to choose the type of lever, whether you want purified water or a pull-out spray head? Or perhaps a 3in1 tap with steaming hot water when ever you need it? And, what do you want your tap to look like? The section on 'tap features and styles' on pages 94-97 will help you. From the visually striking to the practical and easy to use, there's a tap for everyone.

Note: If you have already set your heart on a particular style of sink, this may affect the taps you can choose. For example, a sink with two tap holes will require a bridge, pillar or deck tap design.





Inset sinks (1)

How are they fitted? The feature lip around the sink's edge fits on top of the worktop.

What type of style? Neat and tidy finish available in ceramic, granite, glass and stainless steel.

How are the taps installed? Fitted to the sink itself. However, individual bowls may require the tap to be mounted into the worktop.

Which worktops are compatible? Granite, solid surface, wooden or laminate. This is the only sink type that can be used with laminate.

Undermounted sinks (2)

How are they fitted? Mounted beneath the worktop, which is cut to fit the size of the bowl.

What type of style? Distinctive, fully integrated look in ceramic, granite and stainless steel.

How are the taps installed? Usually mounted into the worktop behind the sink.

Which worktops are compatible? Granite, solid surface or wooden.

Farmhouse style sinks (3)

How are they fitted? They can be installed under the worktop with the front face visible – to accommodate the depth, you'll need a short height cabinet.

What type of style? A period Victorian design – traditionally ceramic.

How are the taps installed? Usually mounted into the worktop, although some sink models allow for them to be fitted to the sink.

Which worktops are compatible? Granite, solid surface or wooden.

Dual housed sinks

To make your choice easier, we offer a range of individual bowl sinks that can be housed either inset or undermounted. See our stainless steel Zero and Mode sinks on pages 69-78, or check out our ceramic Cheshire, Square bowl and Warwickshire sinks on pages 27-30.



Caple products are manufactured to the highest standards, all of our sinks are tested to BS EN 13310:2003 and CE certified.

traditional tastes



Often the heart of the home, the traditional kitchen is warm and inviting. With elegant detailing and subtle design elements it has a comforting, old world charm.

If your kitchen is traditional or country style, you can't go wrong with a classic ceramic. You can choose from the ever-popular and practical farmhouse style to more subtle and sophisticated designs in many shapes and sizes.

They don't come more traditional than the generously proportioned Belfast sink. Or a smooth and sophisticated

inset design might be more to your taste. Whichever you plump for ceramic sinks are hardwearing and easy to maintain with their smooth, gleaming white glaze. Caple ceramic sinks are manufactured using time-aged methods and materials, making every one unique.

An absolute classic

The farmhouse style ceramic sink is Victorian in design with a simple, ageless beauty. Keep with tradition by adding a bridge style tap or go for a sophisticated twin lever monobloc tap – a little less ornate but equally classic. A warm brushed nickel finish will add a touch of antique styling.



modern and minimal

The last thing you want from the kitchen you choose today is for it to go out of fashion tomorrow. But smartly designed contemporary styling retains its freshness through clean lines, bold colour and striking aesthetics.

Where do you start when choosing a contemporary sink and taps? Stainless steel is being fashioned into ever more inspired and imaginative designs. Its sleek lines and neutral finish complement many colour schemes and appliances.

The practical granite sink has become a style icon. Quite right too, as it offers you immense durability, and comes in an array of glamorous colours.

In the spirit of modernity, why not combine different shapes and sizes? Mix bowls together to reflect your individuality and add the ultimate designer tap for a real talking point.

Go for an industrial look with a pull-out spray or choose a slim line curved tap for that fresh, contemporary feel. Modern styling is all about contrasts so you can mix and match to your heart's content.





ceramic sinks

At home in any kitchen, a ceramic sink offers you the simple elegance of a bygone era, yet can look the part in the most contemporary settings.





farmhouse sinks

These time-honoured classics have been re-interpreted for today's kitchen. Their generous proportions are perfect if you want to make a sizeable design statement.



Accessorize

Farmhouse sinks are by necessity hard-wearing and have to be very durable.

A helping hand with their upkeep would obviously go a long way, so there are now accessories available that help to do this, yet are still stylish and fit easily with the character of a Farmhouse sink.

From chopping boards to drainer boards and sink grids (shown above fitted in a CPBS600 sink) the choice is yours.



Big on character

This exceptionally handsome sink puts its good looks on show with a striking curved slab-front face. It looks superb in a traditional setting or as a design piece within a contemporary kitchen. Hand-made using traditional methods and materials, our ceramic sinks are extremely resilient thanks to a non-porous, scratch, heat and chemical resistant finish.

Some taps can be mounted neatly into the worktop itself, so you can choose larger, more sculptural tap designs. As the sinks are fitted beneath the worktop, they can be used with granite, solid surface or wooden worktops.



Note: Each sink is hand finished, so no two sinks are ever alike – sizes may vary by plus-or-minus 2%. Therefore, we recommend that you measure the actual sink before fitting.

CPDRAINER

W 460mm

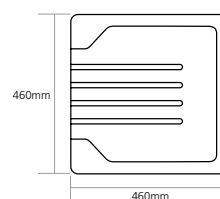


Subtle and sweet, this square ceramic drainer has been specifically designed to complement farmhouse style sinks. It sits neatly on top of the worktop next to your sink and when not in use, can be simply stored away.

General features

White
Freestanding to sit on countertop
Fluted design
Weight 20kg

Dimensions



Width 460mm
Depth 460mm
Height 50mm
Dimensions may vary plus or minus 2%

Belfast 600 – Sit-on

CPBS

W 595mm



General features

White
Reversible
No tap facility
65mm waste outlet
Weir overflow

Plumbing options

Stainless steel waste
CAP/PW/SS3
Chrome waste CAP/SL/CH
Plumbing kit CPK100

Accessory options



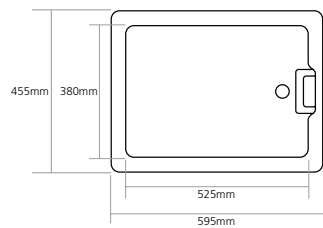
Universal wooden chopping board
CBB3040

Universal wooden chopping board
CC62



Chrome sink grid
CGRID5

Dimensions



Bowl depth 215mm
Overall sink depth 250mm
Min. base unit 600mm
Sink tapers from top to bottom by approx. 12mm
Dimensions may vary plus or minus 2%

Belfast 915 – Sit-on

CPBS36

W 915mm



General features

White
Reversible
No tap facility
65mm waste outlet
Weir overflow

Plumbing options

Stainless steel waste
CAP/PW/SS3
Chrome waste CAP/SL/CH
Plumbing kit CPK100

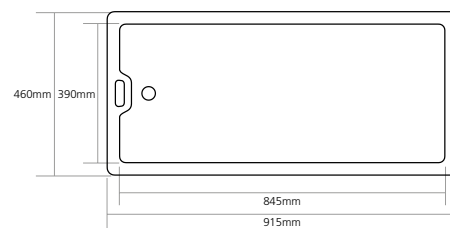
Accessory options



Universal wooden chopping board
CBB3040

Universal wooden chopping board
CC62

Dimensions



Bowl depth 229mm
Overall sink depth 255mm
Min. base unit 1000mm
Dimensions may vary plus or minus 2%

Belfast 760 – Sit-on

CPBS760

W 760mm



General features

White
No tap facility
90mm waste outlet for a basket strainer waste
Suitable for a waste disposer

Plumbing options

Stainless steel waste BSW/OF/SS2
Plumbing kit CPK100



Universal wooden chopping board CBB3040

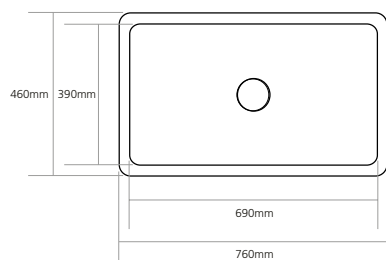


Universal wooden chopping board CCB2



Basket strainer waste decorative cover CWC2

Dimensions



Bowl depth 219mm
Overall sink depth 255mm
Min. base unit 800mm
Dimensions may vary plus or minus 2%

Butler 600 – Sit-on

CPBS600

W 595mm



General features

White
No tap facility
90mm waste outlet for a basket strainer waste
Suitable for a waste disposer
Includes chrome overflow
Waste BSW/OF/SS2 to be ordered separately

Plumbing options

Stainless steel waste BSW/OF/SS2
Plumbing kit CPK100

Accessory options



Universal wooden chopping board CBB3040



Universal wooden chopping board CCB2

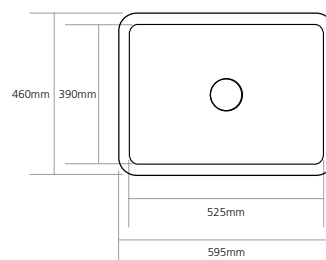


Chrome sink grid CGRID2



Basket strainer waste decorative cover CWC2

Dimensions



Bowl depth 220mm
Overall sink depth 255mm
Min. base unit 600mm
Sink tapers from top to bottom by approx. 4mm
Dimensions may vary plus or minus 2%

Butler 800 – Sit-on

CPBS800

W 795mm



General features

White
No tap facility
90mm waste outlet for a basket strainer waste
Suitable for a waste disposer
Includes chrome overflow
Waste BSW/OF/SS2 to be ordered separately

Plumbing options

Stainless steel waste BSW/OF/SS2
Plumbing kit CPK100

Accessory options



Universal wooden chopping board CBB3040



Universal wooden chopping board CCB2

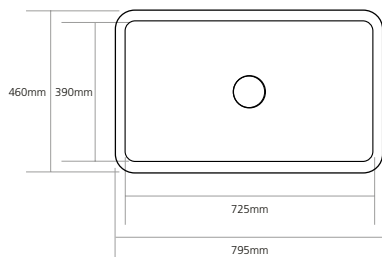


Chrome sink grid CGRID1



Basket strainer waste decorative cover CWC2

Dimensions



Bowl depth 229mm
Overall sink depth 255mm
Min. base unit 800mm
Sink tapers from top to bottom by approx. 4mm
Dimensions may vary plus or minus 2%

Farmhouse 762 – Sit-on

CPWDS762

W 762mm



General features

White
No tap facility
90mm waste outlet for a basket strainer waste
Suitable for a waste disposer

Plumbing options

Stainless steel waste BSW/OF/SS2
Plumbing kit CPK100

Accessory options



Universal wooden chopping board CBB3040

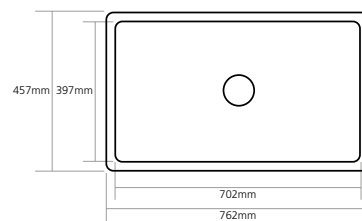


Universal wooden chopping board CCB2



Basket strainer waste decorative cover CWC2

Dimensions



Depth of bowls 254mm
Overall sink depth 284mm
Min. base unit 800mm
Dimensions may vary plus or minus 2%

Yorkshire – Sit-on

YORK

W 595mm



General features

White
No tap facility
90mm waste outlet for a
basket strainer waste
Suitable for a waste disposer

Plumbing options

Stainless steel waste and
overflow CPK1500
Brushed steel waste and
overflow CPK2500
Chrome waste and overflow
CPK1900
Plumbing kit CPK100

Accessory options



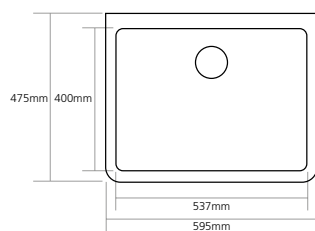
Universal wooden
chopping board
CBB3040

Universal wooden
chopping board
CCB2



Basket strainer waste
decorative cover
CWC2

Dimensions



Bowl depth 195mm
Overall sink depth 225mm
Min. base unit 600mm
Sink tapers from top to
bottom by approx. 20mm
Dimensions may vary
plus or minus 2%

Pemberley – Sit-on

PEMBERLEY

W 597mm



General features

White
No tap facility
90mm waste outlet for a
basket strainer waste
Suitable for a waste disposer
Includes chrome overflow
*Waste BSW/OF/SS2 to be
ordered separately*

Plumbing options

Stainless steel waste
BSW/OF/SS2
Plumbing kit CPK100

Accessory options



Universal wooden
chopping board
CBB3040

Universal wooden
chopping board
CCB2

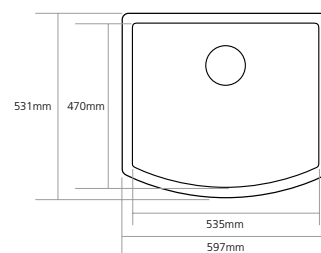


Chrome sink grid
CGRID4



Basket strainer waste
decorative cover
CWC2

Dimensions



Bowl depth 190mm
Overall sink depth 220mm
Min. base unit 600mm
Dimensions may vary
plus or minus 2%

Butler 600TL – Sit-on

CPBS600TL

W 595mm



General features

- White
- Tap ledge with bridge tap facility
- 2 punched tap holes
- 90mm waste outlet for a basket strainer waste
- Suitable for a waste disposer

Plumbing options

- Stainless steel waste BSW/OF/SS2
- Plumbing kit CPK100

Accessory options



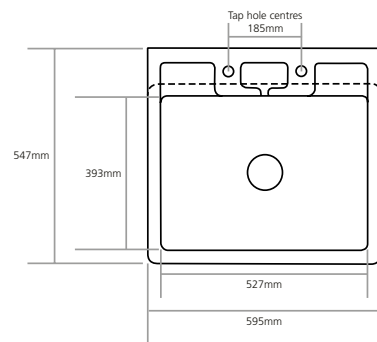
Universal wooden chopping board CBB3040

Universal wooden chopping board CCB2



Basket strainer waste decorative cover CWC2

Dimensions



Bowl depth 228mm
 Overall sink depth 260mm
 Min. base unit 600mm
 Dimensions may vary plus or minus 2%

Sandown – Sit-on

SANDOWN

W 800mm



General features

- White
- 1 Semi-punched tap hole
- 2 90mm waste outlets for basket strainer wastes
- Suitable for a waste disposer

Plumbing options

- Stainless steel waste BSW/OF/SS2 (x2)
- Brushed steel waste BSW/BS (x2)
- Chrome waste BSW/CH3 (x2)
- Plumbing kit CPK200

Accessory options



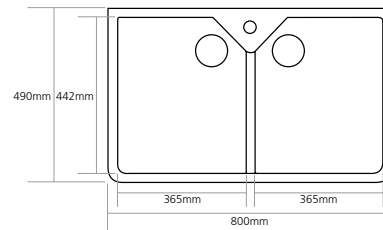
Universal wooden chopping board CBB3040

Universal wooden chopping board CCB2

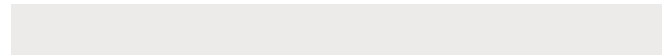
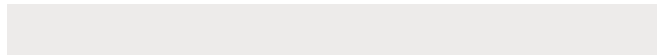


Basket strainer waste decorative cover CWC2

Dimensions



Depth of bowls 190mm
 Overall sink depth 220mm
 Min. base unit 800mm
 Sink tapers from top to bottom by approx. 12mm
 Dimensions may vary plus or minus 2%



Kempton – Sit-on

KEMPTON

W 795mm



General features

White

No tap facility

2 90mm waste outlets for
basket strainer wastes

Suitable for a waste disposer

Includes chrome overflows
*Wastes 2 x BSW/OF/SS2 to be
ordered separately*

Plumbing options

Stainless steel waste
BSW/OF/SS2 (x2)

Plumbing kit CPK200

Accessory options



Universal wooden
chopping board
CBB3040



Universal wooden
chopping board
CCB2

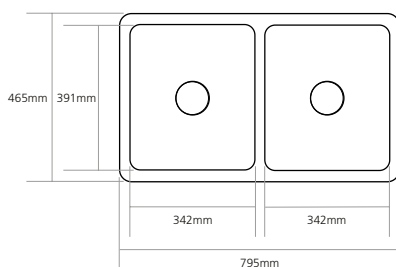


Chrome sink grid
CGRID3



Basket strainer waste
decorative cover
CWC2

Dimensions



Depth of bowls 191mm

Overall sink depth 229mm

Min. base unit 800mm

Sink tapers from top to
bottom by approx. 4mm

Dimensions may vary
plus or minus 2%

inset and undermounted sinks

Designer draining

The design of the drainer pattern can have a dramatic impact on the overall look of the sink. For a flat, modern style, go for our Avalon sinks (see page 23). If you want something softer, how about the Colorado range?

Each sink is hand finished, so no two are ever alike. This means sizes may vary slightly so you'll need to measure your sink before fitting.



Choose from inset or undermounted ceramic sinks to make a distinctive style statement. A classic yet contemporary look that exudes elegance and fits easily into many different styles of kitchen.

With their gently raised lip and smooth lines, inset sinks blend subtly into your worktop surface. Available in many shapes and sizes, this versatile style drops seamlessly into any kitchen.

Fully integrated beneath the worktop, undermounted sinks give a very distinctive look to your kitchen. Used with granite, solid surface or wood worktops.



Note: Each sink is hand finished, so no two sinks are ever alike – sizes may vary by plus-or-minus 2%. Therefore, we recommend that you measure the actual sink before fitting.

Ashford 100 – Inset with drainer

ASH1W

W 920mm



General features

White
Reversible
2 Semi-punched tap holes
90mm waste outlet for a basket strainer waste
Suitable for a waste disposer

Plumbing options

Stainless steel waste and overflow CPK500
Plumbing kit CPK100

Accessory options



Universal wooden chopping board CBB3040

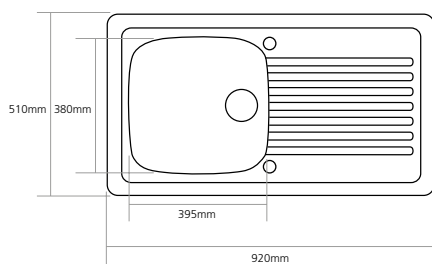
Universal wooden chopping board CCB2



Chrome basket CMBB18CH

Basket strainer waste decorative cover CWC2

Dimensions



Bowl depth 180mm
Overall sink depth 210mm
Min. base unit 500mm
Cut out size 880 x 480mm
Dimensions may vary plus or minus 2%

Ashford 150 – Inset with drainer

ASH15W

W 1000mm



General features

White
Reversible
Overflow will be at front if reversed
4 Semi-punched tap holes
2 90mm waste outlets for basket strainer wastes
Suitable for a waste disposer

Plumbing options

Stainless steel waste, bowl connection kit and overflow CPK800
Plumbing kit CPK100

Accessory options



Universal wooden chopping board CBB3040

Universal wooden chopping board CCB2



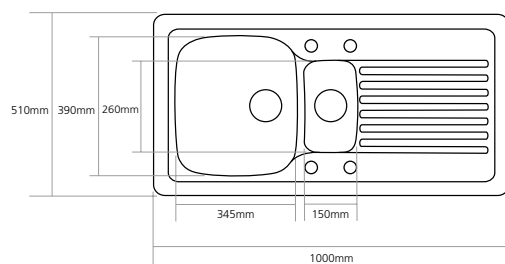
Chrome basket CMBB13CH

Chrome small bowl basket CSB1CH



Basket strainer waste decorative cover CWC2

Dimensions



Main bowl depth 180mm
Small bowl depth 110mm
Overall sink depth 210mm
Min. base unit 600mm
Cut out size 970 x 470mm
Dimensions may vary plus or minus 2%

Avalon 100 – Inset with drainer

AVA1W

W 1000mm



General features

- White or black
- Left or right handed drainer
- 2 Semi-punched tap holes, 1 punched (centre)
- 90mm waste outlet for a basket strainer waste
- Suitable for a waste disposer

Plumbing options

- Stainless steel waste and overflow CPK500
- Plumbing kit CPK100

Model codes

- Left handed drainer
AVA1W/L or AVA1B/L
- Right handed drainer
AVA1W/R or AVA1B/L

Accessory options



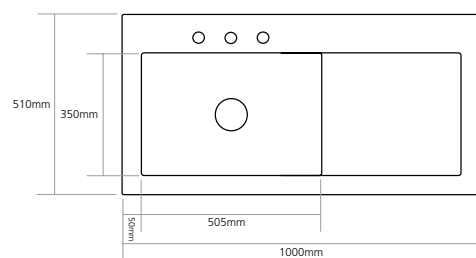
Universal wooden chopping board
CBB3040

Universal wooden chopping board
CCB2



Basket strainer waste decorative cover
CWC2

Dimensions



- Bowl depth 190mm
- Overall sink depth 220mm
- Min. base unit 600mm
- Cut out size 970 x 480mm
- Dimensions may vary plus or minus 2%

Avalon 150 – Inset with drainer

AVA15W

W 1000mm



General features

- White or black
- Left or right handed drainer
- 2 Semi-punched tap holes, 1 punched (centre)
- 2 90mm waste outlets for basket strainer wastes
- Suitable for a waste disposer

Plumbing options

- Stainless steel waste, overflow and bowl connection kit CPK800
- Plumbing kit CPK100

Model codes

- Left handed drainer
AVA15W/L or AVA15B/L
- Right handed drainer
AVA15W/R or AVA15B/R

Accessory options



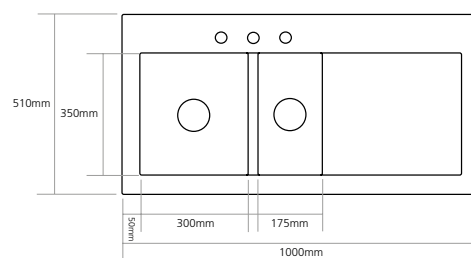
Universal wooden chopping board
CBB3040

Universal wooden chopping board
CCB2

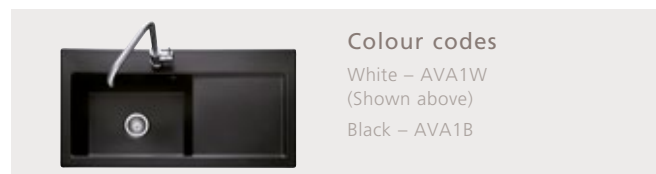


Basket strainer waste decorative cover
CWC2

Dimensions



- Main bowl depth 190mm
- Small bowl depth 135mm
- Overall sink depth 220mm
- Min. base unit 600mm
- Cut out size 970 x 480mm
- Dimensions may vary plus or minus 2%



Colour codes

- White – AVA1W
(Shown above)
- Black – AVA1B



Colour codes

- White – AVA15W
(Shown above)
- Black – AVA15B

Colorado 100 – Inset with drainer

CO100

W 1010mm



General features

White
Reversible*
2 Semi-punched tap holes
90mm waste outlet for basket strainer waste
Suitable for waste disposer

Plumbing options

Stainless steel waste and overflow CPK1500
Brushed steel waste and overflow CPK2500
Chrome waste and overflow CPK1900
Plumbing kit CPK100

Accessory options



Universal wooden chopping board CBB3040

Universal wooden chopping board CCB2



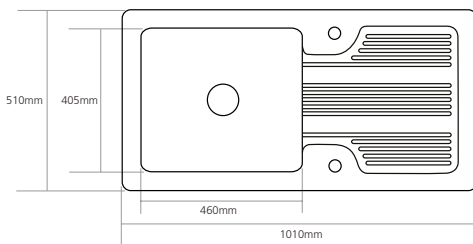
Chrome basket CMBB3CH

Chrome sink grid CGRID6



Basket strainer waste decorative cover CWC2

Dimensions



Bowl depth 200mm
Overall sink depth 240mm
Min. base unit 600mm
Carcass may need to be adapted to accommodate tap tails if using a 600mm carcass
Cut out size 970 x 480mm
Dimensions may vary plus or minus 2%

*Overflow will be at front of right hand drainer

Colorado 150 – Inset with drainer

CO150

W 1010mm



General features

White
Reversible
2 Semi-punched tap holes
2 90mm waste outlets for basket strainer wastes
Suitable for waste disposer

Plumbing options

Stainless steel waste BSW/OF/SS2 (x2)
Brushed steel waste BSW/BS (x2)
Chrome waste BSW/CH3 (x2)
Plumbing kit CPK200

Accessory options



Universal wooden chopping board CBB3040

Universal wooden chopping board CCB2



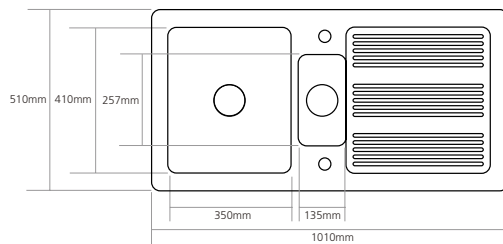
Chrome basket CMBB1CH

Chrome small bowl basket CSB3CH

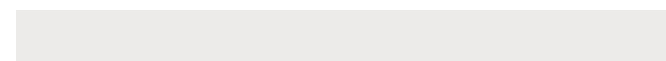
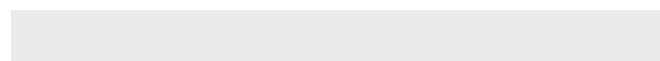


Basket strainer waste decorative cover CWC2

Dimensions



Main bowl depth 220mm
Small bowl depth 125mm
Overall sink depth 240mm
Min. base unit 600mm
Cut out size 970 x 480mm
Dimensions may vary plus or minus 2%



Paladin – Inset or undermount without drainer

PAL150

W 548mm



General features

- White
- Not reversible
- No tap facility
- 2 90mm waste outlets for basket strainer wastes
- Suitable for a waste disposer

Plumbing options

- Stainless steel waste and bowl connection kit CPK800
- Plumbing kit CPK100

Accessory options



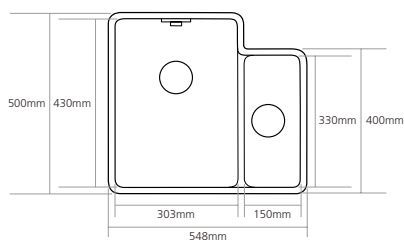
Universal wooden chopping board CBB3040

Universal wooden chopping board CCB2



Basket strainer waste decorative cover CWC2

Dimensions



Bowl depth 200mm
 Overall sink depth 225mm
 Min. base unit 600mm
 Use template for cut-out shape see www.caple.co.uk for template
 Dimensions may vary plus or minus 2%

Friska – undermount without drainer

FRI150U

W 545mm



General features

- White
- Not reversible
- No tap facility
- 90mm and 60mm waste outlets for wastes
- Suitable for a waste disposer

Plumbing options

- Stainless steel waste and bowl connection kit CPK1100
- Plumbing kit CPK100

Accessory options



Universal wooden chopping board CBB3040

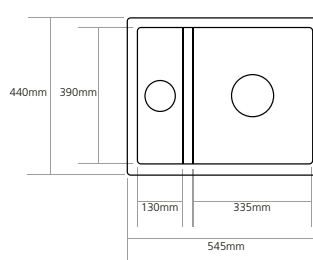
Universal wooden chopping board CCB2



Basket strainer waste decorative cover CWC2

Suitable for use in main bowl only

Dimensions



Main bowl depth 200mm
 Overall sink depth 213mm
 Min. base unit 600mm
 Cut-out size 483 x 374mm
 Dimensions may vary plus or minus 2%

Nevara – undermount without drainer

NEV150U

W 545mm



General features

- White
- Not reversible
- No tap facility
- 90mm and 60mm waste outlets for wastes
- Suitable for a waste disposer

Plumbing options

- Stainless steel waste and bowl connection kit CPK1100
- Plumbing kit CPK100

Accessory options



Universal wooden chopping board CBB3040



Universal wooden chopping board CC82



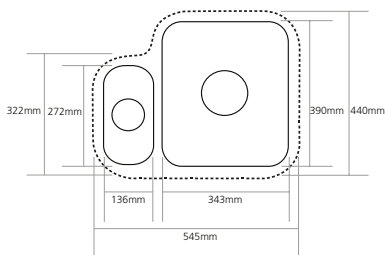
Chrome basket CMB31CH



Basket strainer waste decorative cover CWC2

Suitable for use in main bowl only

Dimensions



Main bowl depth 170mm

Small bowl depth 105mm

Overall sink depth 200mm

Min. base unit 600mm

Use template for cut-out shape see www.caple.co.uk for template

Dimensions may vary plus or minus 2%

individual bowls

Round, square, rectangular... there's a shape and a size to match perfectly with your kitchen. You can even mix and match for a look that's all your own.

Our elegantly proportioned individual ceramic bowls are more than just practical and hardwearing. They give you complete design flexibility, so can you to choose the size, shape and number of bowls to suit the way you use your kitchen. Because the tap is set into the worktop, you also have the freedom to fit our larger, more daring tap designs.

For a clean and classic look, try our traditional round bowl. For something chic and contemporary, how about a single ceramic bowl and a stainless steel tap?



Note: Each sink is hand finished, so no two sinks are ever alike – sizes may vary by plus-or-minus 2%. Therefore, we recommend that you measure the actual sink before fitting.

Square bowl – Inset or undermounted

CSQB

W 460mm



General features

- White
- No tap facility
- 90mm waste outlet for a basket strainer waste
- Suitable for a waste disposer

Plumbing options

- Stainless steel waste BSW/OF/SS2
- Plumbing kit CPK100

Fitting options



Inset

Undermounted

Accessory options



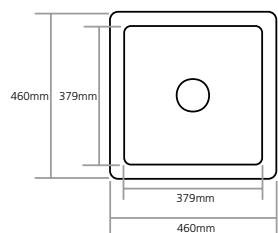
Universal wooden chopping board CBB3040

Universal wooden chopping board CCB2



Basket strainer waste decorative cover CWC2

Dimensions



- Bowl depth 166mm
- Overall sink depth 191mm
- Min. base unit 500mm
- Cut out size 440 x 440mm
- Dimensions may vary plus or minus 2%

Cheshire – Inset or undermounted

CPCIB2

W 595mm



General features

- White
- No tap facility
- 90mm waste outlet for a basket strainer waste
- Suitable for a waste disposer

Plumbing options

- Stainless steel waste and overflow CPK500
- Plumbing kit CPK100

Fitting options



Inset

Undermounted

Accessory options



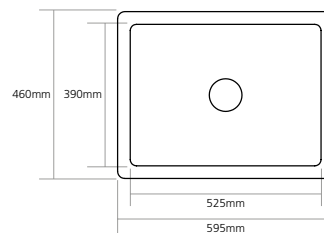
Universal wooden chopping board CBB3040

Universal wooden chopping board CCB2



Basket strainer waste decorative cover CWC2

Dimensions



- Bowl depth 227mm
- Overall sink depth 255mm
- Min. base unit 800mm
- Cut out size 575 x 440mm
- Dimensions may vary plus or minus 2%

Hampshire – Inset or undermounted

HAMPSHIRE

W 250mm



General features

- White
- No tap facility
- 90mm waste outlet for a basket strainer waste
- Suitable for a waste disposer

Plumbing options

- Stainless steel waste and overflow CPK1500
- Brushed steel waste and overflow CPK2500
- Chrome waste and overflow CPK1900
- Plumbing kit CPK100

Fitting options



Inset

Undermounted

Accessory options



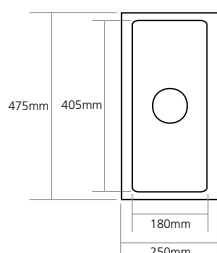
Universal wooden chopping board CBB3040

Universal wooden chopping board CCB2



Basket strainer waste decorative cover CWC2

Dimensions



- Bowl depth 130mm
- Overall sink depth 155mm
- Min. base unit 300mm
- Cut out size 215 x 445mm
- Dimensions may vary plus or minus 2%

Berkshire – Inset or undermounted

BERKSHIRE

W 450mm



General features

- White
- No tap facility
- 90mm waste outlet for a basket strainer waste
- Suitable for a waste disposer

Plumbing options

- Stainless steel waste and overflow CPK1500
- Brushed steel waste and overflow CPK2500
- Chrome waste and overflow CPK1900
- Plumbing kit CPK100

Fitting options



Inset

Undermounted

Accessory options



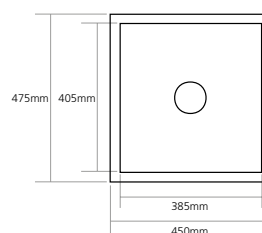
Universal wooden chopping board CBB3040

Universal wooden chopping board CCB2



Basket strainer waste decorative cover CWC2

Dimensions



- Bowl depth 180mm
- Overall sink depth 200mm
- Min. base unit 500mm
- Cut out size 420 x 440mm
- Dimensions may vary plus or minus 2%

Warwickshire – Inset or undermounted

CPWIB2

W 460mm



General features

- White
- No tap facility
- 90mm waste outlet for a basket strainer waste
- Suitable for a waste disposer

Plumbing options

- Stainless steel waste and overflow CPK500
- Plumbing kit CPK100

Fitting options



Accessory options



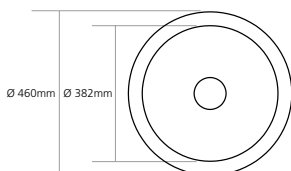
Universal wooden chopping board CBB3040

Universal wooden chopping board CCB2



Basket strainer waste decorative cover CWC2

Dimensions



- Bowl depth 166mm
- Overall sink depth 191mm
- Min. base unit 500mm
- Cut out size ø435mm
- Dimensions may vary plus or minus 2%



granite sinks

These are practical and beautiful sinks to cope with the demands of everyday living. Granite is synonymous with durability and can also offer you an array of stylish colours to match your décor.



material innovations

New granite materials are being developed all the time and this durable, versatile and stylish material is becoming increasingly popular. Our range consisting of four families are made from Geotech, which is available in four sophisticated colourways – metallic Anthracite, matt Desert sand, matt Chalk white and matt Pebble grey.

Product details

1 Canis sink in Geotech metallic Anthracite – see pages 40-43, 2 Veis sink in Geotech matt Pebble grey – see pages 44-47.
3 Leesti sink in Geotech matt Desert sand – see pages 48-49.



Why choose Geotech?

This hi-tech material is created from a unique blend of natural quartz and top grade acrylic. There are many reasons why it's such a great choice.

Naturally good looking

These sinks offer the beauty of natural stone, yet can be moulded into an unlimited number of inspiring designs.

Kind on the environment

Geotech is made up of around 80% natural materials and manufactured using low energy consumption.

Keeps its colour

Completely colourfast, the metallic and matt colour finishes will both stay fresh and vibrant.

Highly durable

Produced to be extremely hard-wearing, it takes the knocks and scrapes of daily life in its stride.

Cut-resistant

Both cut and scratch resistant, Geotech will retain its unblemished surface through thick and thin.

Heat and burn resistant

Hot pans? No problem – resistant to heat, cracking, discolouring, blistering and warping.

Stain resistant

Geotech is resistant to permanent staining. As long as it's cleaned regularly, it won't discolour or stain.

Easy to clean

All you need to keep Geotech sparkling is warm water and washing-up liquid.



sotera inset sinks



Modern, minimal design made in our advanced Geotech material make Sotera a very attractive and practical combination.

With strong, straight lines the Sotera brings a bold presence to any kitchen. A simple, yet refined drainer pattern and the subtle introduction of stainless steel detail within the bowls

and drainer, enhance Sotera's undoubted feeling of quality. Available in all four Geotech colours, Anthracite, Desert sand, Chalk white and Pebble grey, the choice is yours.



Sotera 100 – Inset with drainer

SOT100

W 1000mm



General features

- 4 Geotech colours available
- Left or right handed drainer
- 2 Semi-punched tap holes
- 90mm waste outlet for a basket strainer waste
- Suitable for a waste disposer
- Chrome waste, overflow and plumbing kit included
- Basket strainer waste decorative cover included (Shown above)

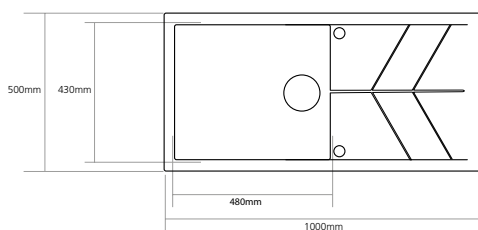
Plumbing options

Plumbing kit CPK100

Model codes

- Anthracite SOT100AN (Shown above)
- Desert sand SOT100DS
- Chalk white SOT100CW
- Pebble grey SOT100PG

Dimensions



Bowl depth 220mm
Min. base unit 600mm
Cut out size 980 x 480mm

Sotera 150 – Inset with drainer

SOT150

W 1000mm



General features

- 4 Geotech colours available
- Left or right handed drainer
- 2 Semi-punched tap holes
- 2 90mm waste outlets for basket strainer wastes
- Suitable for a waste disposer
- Chrome wastes, overflow and plumbing kit included
- Basket strainer waste decorative covers included (Shown above)

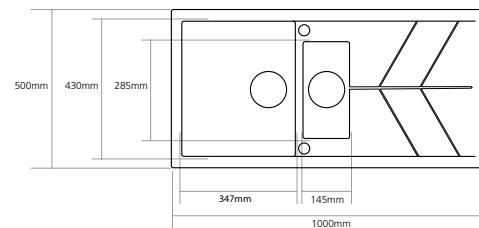
Plumbing options

Plumbing kit CPK100

Model codes

- Anthracite SOT150AN
- Desert sand SOT150DS
- Chalk white SOT150CW (Shown above)
- Pebble grey SOT150PG

Dimensions



Main bowl depth 210mm
Small bowl depth 142mm
Min. base unit 600mm
Cut out size 980 x 480mm

Accessory options



Glass chopping board
CGCB2

Stainless steel
wire basket
CMBB11CH

Accessory options

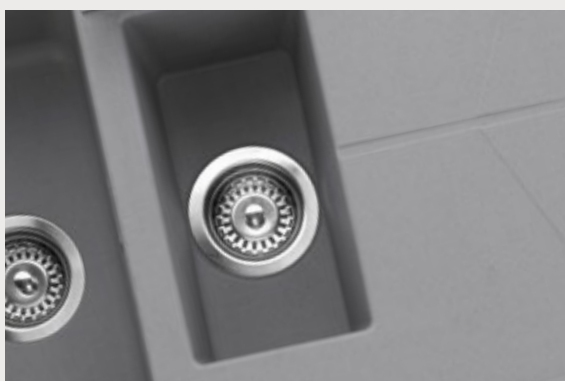


Glass chopping board
CGCB2

Stainless steel
wire basket
CMBB10CH



Stainless steel
small
bowl wire basket
CSB3CH

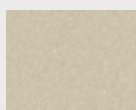


Pick a colour

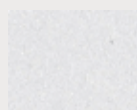
Not only is Geotech available in a delightful selection of colours hand-picked to reflect the latest fashion trends, but its in-built resilience means it will look as good as new for many years.

Our stunning Anthracite colour is infused with a sparkling metallic fleck, guaranteed to add a touch of glamour to your kitchen. Desert sand has a warm, natural feel if you're looking for understated elegance and Chalk white's rich white tones provide the ultimate in relaxed sophistication. If you prefer a slightly industrial, yet ultra modern tone, Pebble grey is perfect to create this look.

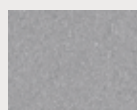
Geotech matt colours



DS - Desert sand



CW - Chalk white



PG - Pebble grey

Geotech metallic colour



AN - Anthracite

canis inset sinks



Why choose just a sink when you can have a kitchen work centre? Canis is a beautifully practical idea, combining advanced material technology with precision design and aesthetics.

Elegant and architectural, Canis will look magnificent in your modern kitchen. And because it's manufactured using Geotech, Canis will retain its exceptional looks however

rough you treat it. It won't warp, cut or fade, so you can carry out your daily tasks without worrying.



Canis 100 – Inset with drainer

CAN100

W 1000mm



General features

4 Geotech colours available
Left or right handed drainer
2 Semi-punched tap holes
90mm waste outlet for a basket strainer waste
Suitable for a waste disposer
Chrome waste, overflow and plumbing kit included

Plumbing options

Plumbing kit CPK100

Model codes

Anthracite CAN100AN
(Shown above)
Desert sand CAN100DS
Chalk white CAN100CW
Pebble grey CAN100PG

Accessory options

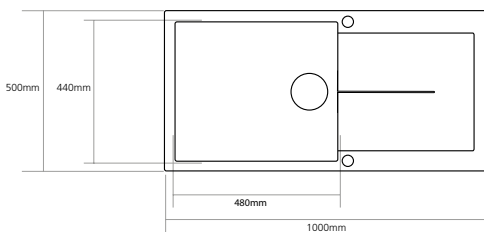


Glass chopping board
CGCB2



Basket strainer waste
decorative cover
CWC2

Dimensions



Bowl depth 200mm
Min. base unit 600mm
Cut out size 980 x 480mm

Canis 150 – Inset with drainer

CAN150

W 1000mm



General features

4 Geotech colours available
Left or right handed drainer
2 Semi-punched tap holes
2 90mm waste outlets for a basket strainer wastes
Suitable for a waste disposer
Chrome wastes, overflow and plumbing kit included

Plumbing options

Plumbing kit CPK100

Model codes

Anthracite CAN150AN
(Shown above)
Desert sand CAN150DS
Chalk white CAN150CW
Pebble grey CAN150PG

Accessory options



Glass chopping board
CGCB2



Stainless steel
wire basket
CMBB10CH

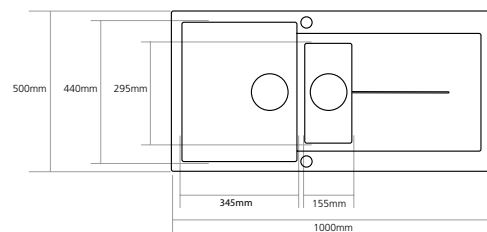


Chrome sink grid
CGRID6

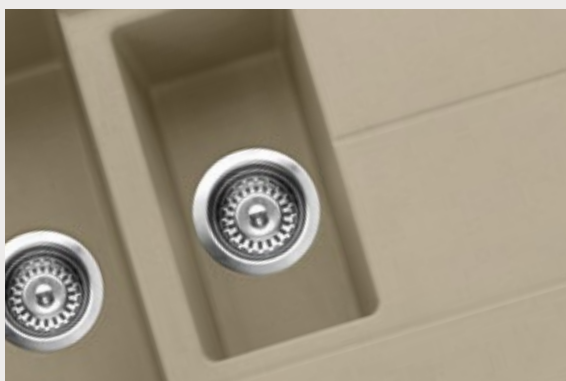


Basket strainer waste
decorative cover
CWC2

Dimensions



Main bowl depth 200mm
Small bowl depth 146mm
Min. base unit 600mm
Cut out size 980 x 480mm

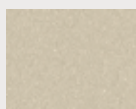


Pick a colour

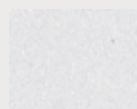
Not only is Geotech available in a delightful selection of colours hand-picked to reflect the latest fashion trends, but its in-built resilience means it will look as good as new for many years.

Our stunning Anthracite colour is infused with a sparkling metallic fleck, guaranteed to add a touch of glamour to your kitchen. Desert sand has a warm, natural feel if you're looking for understated elegance and Chalk white's rich white tones provide the ultimate in relaxed sophistication. If you prefer a slightly industrial, yet ultra modern tone, Pebble grey is perfect to create this look.

Geotech matt colours



DS - Desert sand



CW - Chalk white



PG - Pebble grey

Geotech metallic colour



AN - Anthracite

veis inset sinks



Looking for a durable, stylish sink with modern clean lines and subtle design hints? If so, you've found it with Veis.

A drainer pattern with simple, clean lines and bowls with subtle curves give Veis an understated but thoroughly modern feel. Made from our hard-wearing composite material Geotech, these sinks combine style with practicality. Choose from single bowl or bowl and a half versions to

fit the size and layout of your kitchen. Four cool colours to choose from, Anthracite, Desert sand, Chalk white and Pebble grey, means there's one to create the ambience you're after.



Veis 100 – Inset with drainer

VEi100

W 1000mm



General features

4 Geotech colours available
Left or right handed drainer
2 Semi-punched tap holes
90mm waste outlet for a basket strainer waste
Suitable for a waste disposer
Chrome waste, overflow and plumbing kit included

Plumbing options

Plumbing kit CPK100

Model codes

Anthracite VEi100AN
Desert sand VEi100DS
(Shown above)
Chalk white VEi100CW
Pebble grey VEi100PG

Accessory options



Universal wooden chopping board CCB2

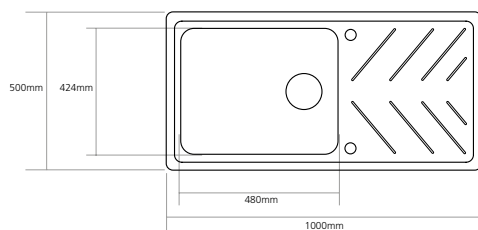


Stainless steel wire basket CMBB3CH



Basket strainer waste decorative cover CWC2

Dimensions



Bowl depth 200mm
Min. base unit 600mm
Cut out size 980 x 480mm

Veis 150 – Inset with drainer

VEi150

W 1000mm



General features

4 Geotech colours available
Left or right handed drainer
2 Semi-punched tap holes
2 90mm waste outlets for a basket strainer wastes
Suitable for a waste disposer
Chrome wastes, overflow and plumbing kit included

Plumbing options

Plumbing kit CPK100

Model codes

Anthracite VEi150AN
(Shown above)
Desert sand VEi150DS
Chalk white VEi150CW
Pebble grey VEi150PG

Accessory options



Universal wooden chopping board CCB2



Stainless steel wire basket CMBB1CH

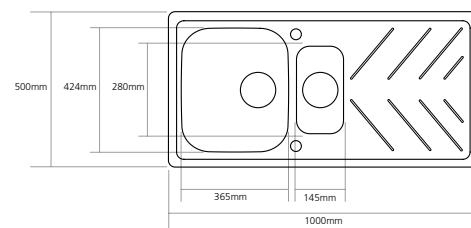


Small bowl wire basket CSB1CH

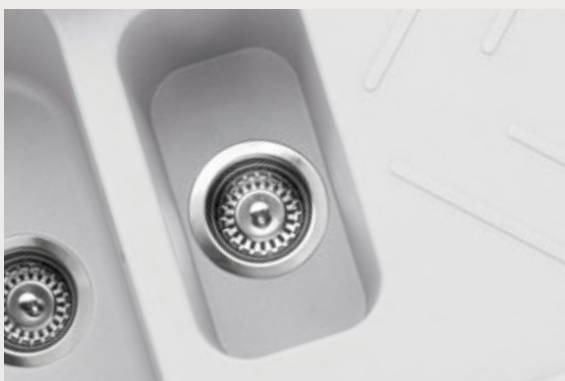


Basket strainer waste decorative cover CWC2

Dimensions



Main bowl depth 200mm
Small bowl depth 140mm
Min. base unit 600mm
Cut out size 980 x 480mm

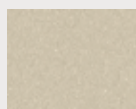


Pick a colour

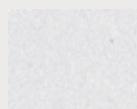
Not only is Geotech available in a delightful selection of colours hand-picked to reflect the latest fashion trends, but its in-built resilience means it will look as good as new for many years.

Our stunning Anthracite colour is infused with a sparkling metallic fleck, guaranteed to add a touch of glamour to your kitchen. Desert sand has a warm, natural feel if you're looking for understated elegance and Chalk white's rich white tones provide the ultimate in relaxed sophistication. If you prefer a slightly industrial, yet ultra modern tone, Pebble grey is perfect to create this look.

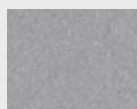
Geotech matt colours



DS - Desert sand



CW - Chalk white



PG - Pebble grey

Geotech metallic colour



AN - Anthracite

leesti inset or undermounted sinks

These bowls can be inset for a statement feature or discreetly undermounted offering a truly contemporary look. Practical, versatile and stylish they look great with any worktop.

With their gracefully subtle corners and the satisfying proportions Leesti exudes elegance. Choose from a single or a bowl and a half sink, inset or undermounted, to give you exactly what you want. For a sophisticated style, why not try two single bowls side by side?

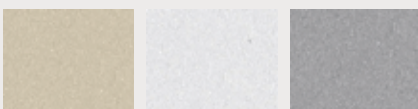
Four cool colours available, including three matt colours Desert sand, Chalk white and Pebble grey and a flecked metallic Anthracite, mean there's one to create the ambience you're after.

Pick a colour

Not only is Geotech available in a delightful selection of colours hand-picked to reflect the latest fashion trends, but its in-built resilience means it will look as good as new for many years.

Our stunning Anthracite colour is infused with a sparkling metallic fleck, guaranteed to add a touch of glamour to your kitchen. Desert sand has a warm, natural feel if you're looking for understated elegance and Chalk white's rich white tones provide the ultimate in relaxed sophistication. If you prefer a slightly industrial, yet ultra modern tone, Pebble grey is perfect to create this look.

Geotech matt colours



DS - Desert sand CW - Chalk white PG - Pebble grey

Geotech metallic colour



AN - Anthracite



Leesti 600 – Inset or undermounted

LEE600

W 533mm



General features

4 Geotech colours available
90mm waste outlet for a basket strainer waste
Suitable for a waste disposer
Chrome waste, overflow and plumbing kit included

Plumbing options

Plumbing kit CPK100

Model codes

Anthracite LEE600AN
(Shown above)
Desert sand LEE600DS
Chalk white LEE600CW
Pebble grey LEE600PG

Accessory options



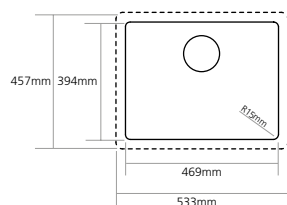
Universal wooden chopping board
CCB2

Stainless steel wire basket
CMBB3CH



Basket strainer waste decorative cover
CWC2

Dimensions



Bowl depth 205mm
Min. base unit 600mm
Inset cut out size 513 x 437mm
Undermount cut out size 479 x 403mm

Leesti 150 – Inset or undermounted

LEE150

W 615mm



General features

4 Geotech colours available
4 Semi-punched tap holes
2 90mm waste outlets for a basket strainer waste
Suitable for a waste disposer
Chrome wastes, overflow and plumbing kit included

Plumbing options

Plumbing kit CPK100

Model codes

Anthracite LEE150AN
Desert sand LEE150DS
Chalk white LEE150CW
(Shown above)
Pebble grey LEE150PG

Accessory options



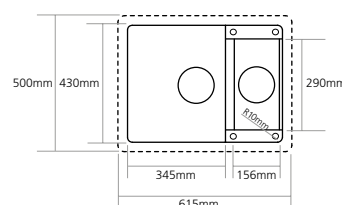
Universal wooden chopping board
CCB2

Stainless steel wire basket
CMBB3CH



Basket strainer waste decorative cover
CWC2

Dimensions



Main bowl depth 200mm
Small bowl depth 140mm
Inset min. base unit 600mm
Undermount min. base unit 700mm
Inset cut out size 595 x 480mm
Undermount cut out size 435 x 550mm

glass sinks

For a distinctively modern alternative to the traditional sink, our glass sinks are hard to surpass. Durable stainless steel bowls with fresh designs, these sinks will stand out in any kitchen.





vitrea inset sinks



Glass is renowned for being hygienic and easy to clean. With the addition of it being tempered, this makes for a strong and highly practical sink surface. The elegant styling of the coloured glass with bowls constructed from the professional cooks choice - stainless steel; make Vitrea sinks a distictively modern alternative for your kitchen.

This highly durable and tempered surface is impact resistant and extremely strong. The hygienic glass surface is easy to clean, simply wash with warm water and washing up liquid

The glass surface is stain resistant, as long as it's regularly cleaned, these sinks won't discolour or stain.

Completely colourfast, the black and white finishes will both stay fresh and vibrant.

Hot pans? No problem – the surface is resistant to heat.

This sinks offers the perfect contrast of glossy glass and satin steel designed to be a feature in any kitchen.



The glass drainer functions similarly to undermount sinks set directly into the work surface therefore small amounts of water may remain. This can simply be wiped away.

Vitrea 100 – Inset with drainer

VT100BK

W 1000mm



General features

Bowl 1.0 mm stainless steel frame 8mm tempered glass

Glass and Silk stainless steel finish

Black glass

Left or right handed drainer

1 Punched tap hole

90mm waste outlet for a basket strainer waste

Suitable for a waste disposer

Wastes and overflow included

Plumbing options

Plumbing kit CPK100

Model codes

Left handed drainer VT100BK/L

Right handed drainer VT100BK/R

Accessory options



Stainless steel bowl CTR10SS



Universal wooden chopping board CCB2

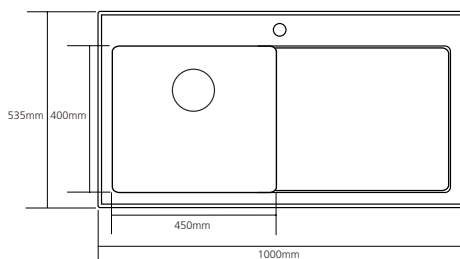


Chrome basket CMBB11CH



Basket strainer waste decorative cover CWC2

Dimensions



Bowl depth 200mm
Min. base unit 600mm
Cut out size 964 x 499mm

Vitrea 150 – Inset with drainer

VT150BK

W 1000mm



General features

Bowl 1.0 mm stainless steel frame 8mm tempered glass

Glass and Silk stainless steel finish

Black glass

Left or right handed drainer

1 Punched tap hole

2 90mm waste outlets for basket strainer wastes

Suitable for a waste disposer

Wastes, overflow and bowl connection kit with U-bend included

Plumbing options

Plumbing kit CPK100

Model codes

Left handed drainer VT150BK/L

Right handed drainer VT150BK/R

Accessory options



Stainless steel bowl CTR15SS



Universal wooden chopping board CCB2

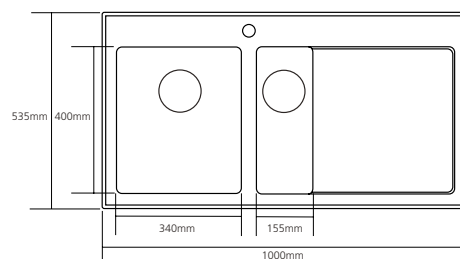


Chrome sink grid CGRID6



Basket strainer waste decorative cover CWC2

Dimensions



Main bowl depth 200mm
Small bowl depth 150mm
Min. base unit 600mm
Cut out size 964 x 499mm

The glass drainer functions similarly to undermount sinks set directly into the work surface therefore small amounts of water may remain. This can simply be wiped away.

Vitrea 100 – Inset with drainer

VT100WH

W 1000mm



General features

Bowl 1.0 mm stainless steel frame 8mm tempered glass

Glass and Silk stainless steel finish

White glass

Left or right handed drainer

1 Punched tap hole

90mm waste outlet for a basket strainer waste

Suitable for a waste disposer

Wastes and overflow included

Plumbing options

Plumbing kit CPK100

Model codes

Left handed drainer VT100WH/L

Right handed drainer VT100WH/R

Accessory options



Stainless steel bowl CTR10SS



Universal wooden chopping board CCB2

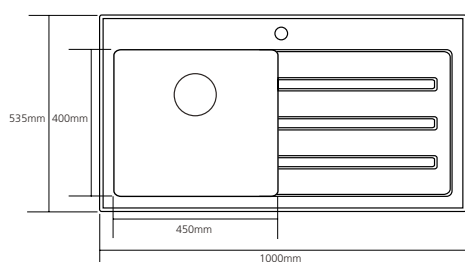


Chrome basket CMBB11CH



Basket strainer waste decorative cover CWC2

Dimensions



Bowl depth 200mm
Min. base unit 600mm
Cut out size 964 x 499mm

Vitrea 150 – Inset with drainer

VT150WH

W 1000mm



General features

Bowl 1.0 mm stainless steel frame 8mm tempered glass

Glass and Silk stainless steel finish

White glass

Left or right handed drainer

1 Punched tap hole

2 90mm waste outlets for basket strainer wastes

Suitable for a waste disposer

Wastes, overflow and bowl connection kit with U-bend included

Plumbing options

Plumbing kit CPK100

Model codes

Left handed drainer VT150WH/L

Right handed drainer VT150WH/R

Accessory options



Stainless steel bowl CTR15SS



Universal wooden chopping board CCB2

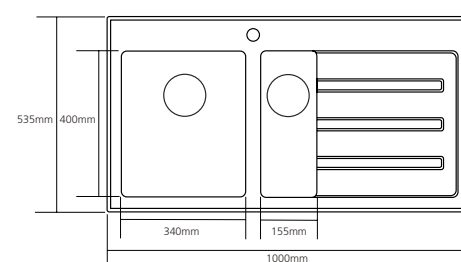


Chrome sink grid CGRID6



Basket strainer waste decorative cover CWC2

Dimensions



Main bowl depth 200mm
Small bowl depth 150mm
Min. base unit 600mm
Cut out size 964 x 499mm

The glass drainer functions similarly to undermount sinks set directly into the work surface therefore small amounts of water may remain. This can simply be wiped away.

stainless steel sinks

Stainless steel has been the automatic choice for professional cooks over many years. Why not make it yours? It is tough, resilient and highly practical – and in our range of styles and shapes it looks sensational too.





inset sinks



For clean, contemporary and minimalist surroundings, inset stainless steel sinks are hard to beat. Durable and easy to care for, their smart, sleek and industrial good looks always shine out.

Inset sinks can be neatly fitted into any surface type. Our range is grouped into families, making it easy to find the style and bowl combination to suit your kitchen. Each of these sinks feature built-in drainers, with a distinctive pattern for a unique family look.

Do you need a drainer on the left or right side? With many of these sinks you have the flexibility to choose. For a conventional look, go with a single bowl with drainer. Or for something a little different, how about one and a half or double bowls with a drainer?



STAINLESS STEEL

Maintain the steel theme by pairing a stainless steel sink with one of our luxury stainless steel taps. They offer a contemporary alternative to popular polished and brushed chrome. Attractive and durable, they add a slick, professional touch to your kitchen – look out for the logo.

Low profile

For a cleaner, sleeker fitting, our Blaze and Cubit sinks feature a low profile edge of only 1mm.

cubit inset sinks

Cubit sinks add minimalist design to the benefits of stainless steel sinks, to create a sink for those that love clean lines and no nonsense modern styling

Made from stunning stainless steel with a rich satin finish, the Cubit sinks are both contemporary and durable and offer an alternative to the popular polished or brushed steel sinks.

Sharp, crisp edges and an uncluttered design, coupled with a sleek, low profile edge of only 1mm, give the Cubit sinks an industrial quality that many modern designers like to use in today's cutting edge kitchens.



Cubit 100 – Inset with drainer

CU100

W 1000mm



General features

- Bowl frame 1.2 mm stainless steel
- Satin stainless steel finish
- Edge profile thickness 1.0mm
- Left or right handed drainer
- 1 Punched tap hole
- 90mm waste outlet for a basket strainer waste
- Suitable for a waste disposer
- Waste and overflow included

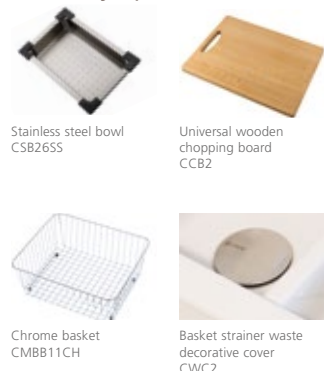
Plumbing options

Plumbing kit CPK100

Model codes

- Left handed drainer CU100/L
- Right handed drainer CU100/R

Accessory options



Cubit 150 – Inset with drainer

CU150

W 1000mm



General features

- Bowl frame 1.2 mm stainless steel
- Satin stainless steel finish
- Edge profile thickness 1.0mm
- Left or right handed drainer
- 1 Punched tap hole
- 2 90mm waste outlets for basket strainer wastes
- Suitable for a waste disposer
- Wastes, overflows and bowl connection kit with U-bend included

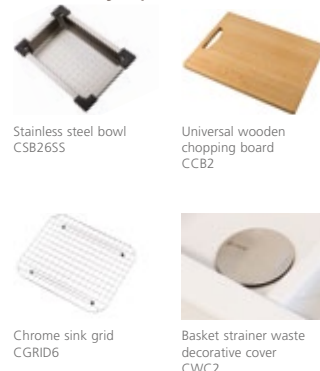
Plumbing options

Plumbing kit CPK100

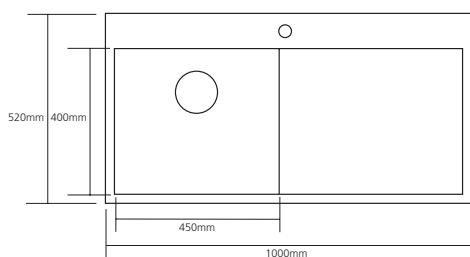
Model codes

- Left handed drainer CU150/L
- Right handed drainer CU150/R

Accessory options

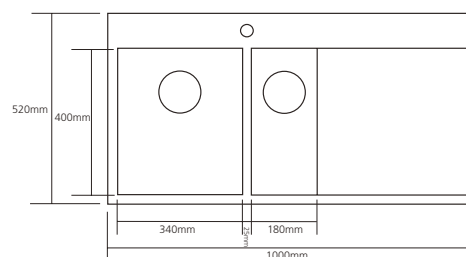


Dimensions



Bowl depth 200mm
Min. base unit 600mm
Cut out size 975 x 495mm

Dimensions



Main bowl depth 200mm
Small bowl depth 150mm
Min. base unit 600mm
Cut out size 975 x 495mm

Blaze 100 – Inset with drainer

BZ100

W 1000mm



General features

- Bowl 0.8 mm frame 1.0mm satin stainless steel
- Low profile edge (1.0mm)
- Left or right handed drainer
- 1 Punched tap hole
- 90mm waste outlet for a basket strainer waste
- Suitable for a waste disposer
- Wastes and overflow included

Plumbing options

Plumbing kit CPK100

Model codes

- Left handed drainer BZ100/L
- Right handed drainer BZ100/R

Accessory options



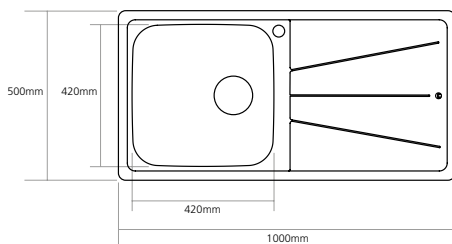
Universal wooden chopping board CCB2

Glass chopping board CGCB2



Basket strainer waste decorative cover CWC2

Dimensions



Bowl depth 200mm
Min. base unit 600mm
Cut out size 978 x 480mm

Blaze 150 – Inset with drainer

BZ150

W 1000mm



General features

- Bowl 0.8 mm frame 1.0mm satin stainless steel
- Low profile edge (1.0mm)
- Left or right handed drainer
- 1 Punched tap hole
- 2 90mm waste outlets for basket strainer wastes
- Suitable for a waste disposer
- Wastes, overflow and bowl connection kit with U-bend included

Plumbing options

Plumbing kit CPK100

Model codes

- Left handed drainer BZ150/L
- Right handed drainer BZ150/R

Accessory options



Universal wooden chopping board CCB2

Glass chopping board CGCB2



Chrome main bowl basket CMBB31CH

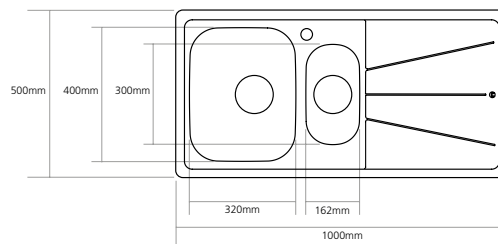


Chrome small bowl basket CSB10CH



Basket strainer waste decorative cover CWC2

Dimensions



Main bowl depth 200mm
Small bowl depth 128mm
Min. base unit 600mm
Cut out size 978 x 480mm

Lyon 100 – Inset with drainer

LY100SS

W 1000mm



General features

- Bowl 0.8mm frame 0.9mm satin stainless steel
- Left or right handed drainer
- 1 Punched tap hole
- 90mm waste outlet for a basket strainer waste
- Suitable for a waste disposer
- Waste and overflow included

Plumbing options

Plumbing kit CPK100

Model codes

- Left handed drainer LY100SS/L
- Right handed drainer LY100SS/R

Accessory options



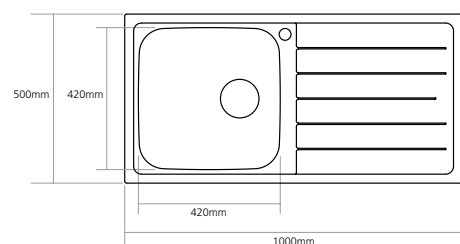
Universal wooden chopping board CCB2

Glass chopping board CGCB2



Basket strainer waste decorative cover CWC2

Dimensions



Bowl depth 200mm
Min. base unit 600mm
Cut out size 978 x 480mm

Lyon 150 – Inset with drainer

LY150SS

W 1000mm



General features

- Bowl 0.8mm frame 0.9mm satin stainless steel
- Left or right handed drainer
- 1 Punched tap hole
- 2 90mm waste outlets for basket strainer wastes
- Suitable for a waste disposer
- Wastes, overflow and bowl connection kit with U-bend included

Plumbing options

Plumbing kit CPK100

Model codes

- Left handed drainer LY150SS/L
- Right handed drainer LY150SS/R

Accessory options



Universal wooden chopping board CCB2

Glass chopping board CGCB2



Chrome main bowl basket CMBB31CH

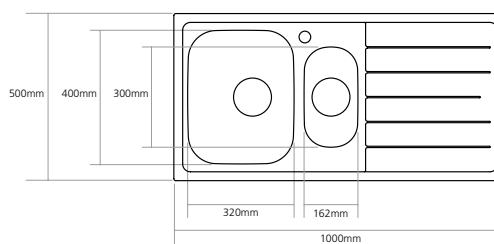


Chrome small bowl basket CSB10CH



Basket strainer waste decorative cover CWC2

Dimensions



Main bowl depth 200mm
Small bowl depth 128mm
Min. base unit 600mm
Cut out size 978 x 480mm

Vanga 90 – Inset with drainer

VA90

W 800mm

Vanga 100 – Inset with drainer

VA100

W 1000mm



General features

0.8mm satin stainless steel
Left or right handed drainer
1 Punched tap hole
90mm waste outlet for a basket strainer waste
Suitable for a waste disposer
Waste and overflow included

Plumbing options

Plumbing kit CPK100

Model codes

Left handed drainer
VA90/L

Right handed drainer
VA90/R

Accessory options



Universal wooden chopping board
CCB2



Glass chopping board
CGCB2



Chrome sink grid
CGRID6



Basket strainer waste decorative cover
CWC2

General features

0.8mm satin stainless steel
Left or right handed drainer
1 Punched tap hole
90mm waste outlets for basket strainer wastes
Suitable for a waste disposer
Wastes and overflow included

Plumbing options

Plumbing kit CPK100

Model codes

Left handed drainer
VA100/L

Right handed drainer
VA100/R

Accessory options



Universal wooden chopping board
CCB2

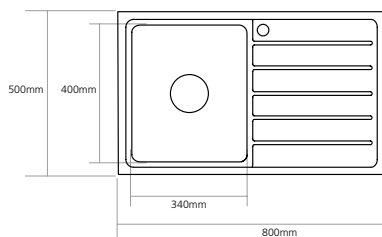


Glass chopping board
CGCB2



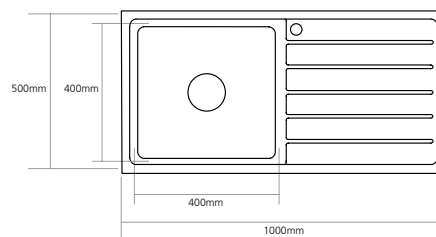
Basket strainer waste decorative cover
CWC2

Dimensions

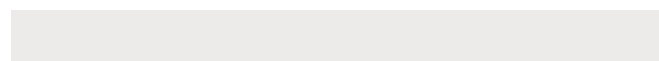


Bowl depth 200mm
Min. base unit 500mm
Cut out size 780 x 480mm

Dimensions



Main bowl depth 200mm
Min. base unit 600mm
Cut out size 980 x 480mm



Vanga 150 – Inset with drainer

VA150

W 1000mm



General features

0.8mm satin stainless steel
 Left or right handed drainer
 1 Punched tap hole
 2 90mm waste outlets for basket strainer wastes
 Suitable for a waste disposer
 Wastes, overflow and bowl connection kit with U-bend included

Plumbing options

Plumbing kit CPK100

Model codes

Left handed drainer
 VA150/L

Right handed drainer
 VA150/R

Accessory options



Universal wooden chopping board
 CCB2



Glass chopping board
 CGCB2

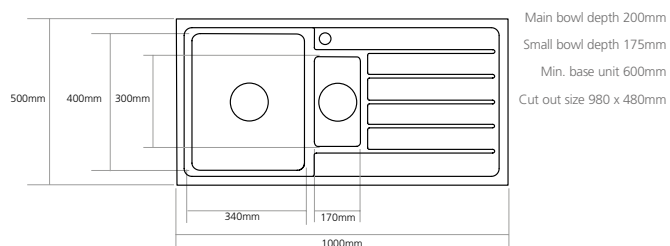


Chrome sink grid
 CGRID6



Basket strainer waste decorative cover
 CWC2

Dimensions



Please note: the tap shown above is Avel Brushed Nickel.
 We suggest Avel Stainless Steel is not paired with any of the Vanga sinks due to the tap ledge size.

Dove 100 – Inset with drainer

DO100SS

W 860mm



General features

- 0.7mm satin stainless steel
- Reversible
- 2 Punched tap holes (one for tap hole stopper)
- 90mm waste outlet for a basket strainer waste
- Suitable for a waste disposer
- Waste and overflow included

Plumbing options

Plumbing kit CPK100

Accessory options



Universal wooden chopping board CCB2



Chrome main bowl basket CMBB13CH



Chrome sink grid CGRID6



Basket strainer waste decorative cover CWC2

Dove 150 – Inset with drainer

DO150SS

W 1000mm



General features

- 0.7mm satin stainless steel
- Reversible
- 2 Punched tap holes (one for tap hole stopper)
- 2 90mm waste outlets for basket strainer wastes
- Suitable for a waste disposer
- Wastes, overflow and bowl connection kit with U-bend included

Plumbing options

Plumbing kit CPK100

Accessory options



Universal wooden chopping board CCB2



Chrome main bowl basket CMBB13CH

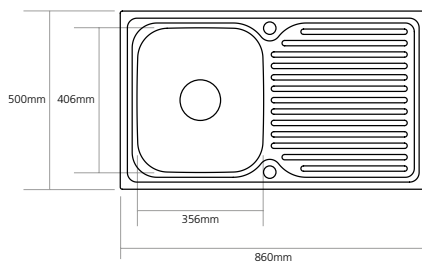


Chrome small bowl basket CSB10CH



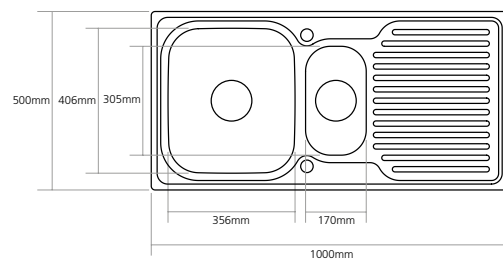
Basket strainer waste decorative cover CWC2

Dimensions

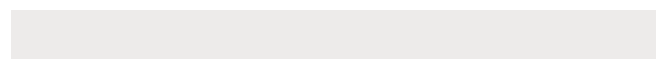
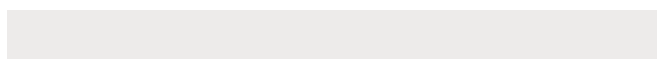


Bowl depth 180mm
Min. base unit 500mm
Cut out size 838 x 480mm

Dimensions



Main bowl depth 180mm
Small bowl depth 128mm
Min. base unit 600mm
Cut out size 978 x 480mm



Crane 90 – Inset with drainer

CR90SS

W 800mm



General features

- 0.5mm satin stainless steel
- Reversible
- 2 Punched tap holes (one for tap hole stopper)
- 54mm waste outlet
- Waste and overflow included

Plumbing options

Plumbing kit CPK100

Accessory options



Universal wooden chopping board
CCB2



Chrome main bowl basket
CMBB31CH

Crane 100 – Inset with drainer

CR100SS

W 965mm



General features

- 0.5mm satin stainless steel
- Reversible
- 2 Punched tap holes (one for tap hole stopper)
- 54mm waste outlet
- Waste and overflow included

Plumbing options

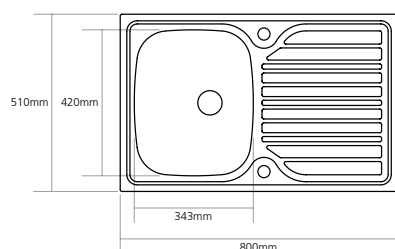
Plumbing kit CPK100

Accessory options



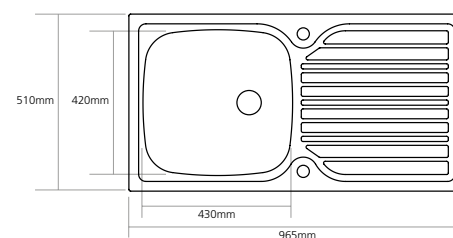
Universal wooden chopping board
CCB2

Dimensions



Bowl depth 155mm
Min. base unit 500mm
Cut out size 776 x 486mm

Dimensions



Bowl depth 155mm
Min. base unit 600mm
Cut out size 941 x 486mm

Crane 150 – Inset with drainer

CR150SS

W 965mm



General features

- 0.5mm satin stainless steel
- Reversible
- 2 Punched tap holes (one for tap hole stopper)
- Main bowl 54mm waste outlet
- Small bowl 90mm waste outlet for a basket strainer waste
- Suitable for a waste disposer
- Wastes and overflow included

Plumbing options

Plumbing kit CPK200

Accessory options



Universal wooden chopping board CCBZ

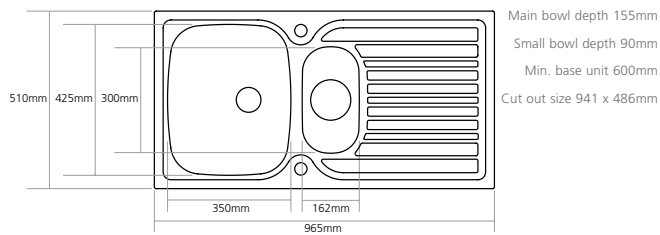


Chrome main bowl basket CMBB31CH



Chrome small bowl basket CSB10CH

Dimensions



zero individual and multiple bowls

For the razor-sharp, minimalist look adopted by designer kitchen aficionados, nothing is better than Zero. These bowls feature crisp edges and clean lines in an uncluttered design.

Zero sinks can be inset or undermounted allowing you to combine them beautifully with any worktop. The striking geometric bowls come in many sizes, for countless creative possibilities. With multiple bowls and a sleek shallow

drainer also available you can let your imagination run riot. Made from stainless steel, they won't rust, stain, fade or crack, remaining pristine whatever you put them through.



Looking sharp

The clean lines and minimalist styling of our Zero sinks suit modern kitchens to a tee. Featuring a unique angular bowl with a 'zero' degree radius and tapered base, they'll take your designer kitchen to a new level.



Zero 45 drainer option – Inset or undermounted

ZEROD45

W 500mm



General features

1mm brushed stainless steel
No tap facility
90mm waste outlet for a basket strainer waste
Suitable for a waste disposer
Waste included

Plumbing options

Plumbing kit CPK100

Accessory options



Basket strainer waste decorative cover CWC2

Fitting options



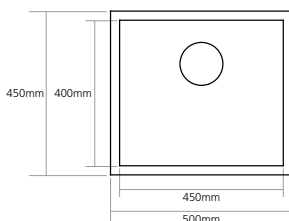
Inset



Undermounted

For something a little left of centre, team a Zero bowl with a matching drainer, this hot new look will add a unique touch to your kitchen. If you're really out to impress why not try a combination of two Zero sinks and a matching drainer.

Dimensions



Drainer depth 25mm
Min. base unit 500mm
Cut out size 450 x 400mm
Use template for cut-out shape see www.caple.co.uk for template

Zero 20 – Inset or undermounted

ZERO20

W 250mm



General features

1mm brushed stainless steel
No tap facility
90mm waste outlet for a basket strainer waste
Suitable for a waste disposer
Waste and overflow included

Plumbing options

Plumbing kit CPK100

Fitting options



Inset



Undermounted

Accessory options

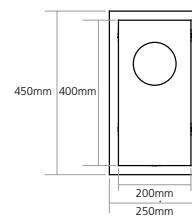


Universal wooden chopping board CCB2



Basket strainer waste decorative cover CWC2

Dimensions



Bowl depth 140mm
Min. base unit 300mm
Cut out size 200 x 400mm
Use template for cut-out shape see www.caple.co.uk for template

Zero 35 – Inset or undermounted

ZERO35

W 400mm



General features

1mm brushed stainless steel
No tap facility
90mm waste outlet for a basket strainer waste
Suitable for a waste disposer
Waste and overflow included

Plumbing options

Plumbing kit CPK100

Fitting options



Inset



Undermounted

Accessory options



Universal wooden chopping board
CCB2

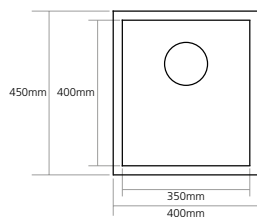


Chrome sink grid
CGRID6



Basket strainer waste decorative cover
CWC2

Dimensions



Bowl depth 200mm
Min. base unit 400mm
Cut out size 350 x 400mm
Use template for cut-out shape
see www.caple.co.uk for template

Zero 45 – Inset or undermounted

ZERO45

W 500mm



General features

1mm brushed stainless steel
No tap facility
90mm waste outlet for a basket strainer waste
Suitable for a waste disposer
Waste and overflow included

Plumbing options

Plumbing kit CPK100

Fitting options



Inset



Undermounted

Accessory options



Universal wooden chopping board
CCB2

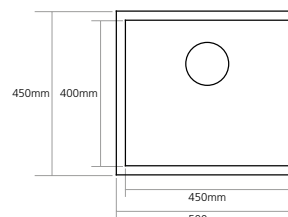


Chrome basket
CMBB11CH



Basket strainer waste decorative cover
CWC2

Dimensions



Bowl depth 200mm
Min. base unit 500mm
Cut out size 450 x 400mm
Use template for cut-out shape
see www.caple.co.uk for template

Zero 55 – Inset or undermounted

ZERO55

W 600mm



General features

- 1mm brushed stainless steel
- No tap facility
- 90mm waste outlet for a basket strainer waste
- Suitable for a waste disposer
- Waste and overflow included

Plumbing options

Plumbing kit CPK100

Fitting options



Inset



Undermounted

Accessory options

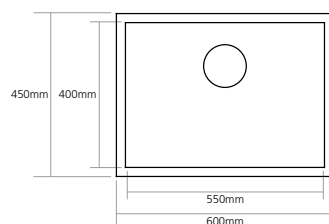


Universal wooden chopping board
CCB2



Basket strainer waste decorative cover
CWC2

Dimensions



Bowl depth 200mm
Min. base unit 600mm
Cut out size 550 x 400mm
Use template for cut-out shape
see www.caple.co.uk for template

Zero 150 – Inset or undermounted

ZERO150

W 596mm



General features

- 1mm brushed stainless steel
- Left or right handed small bowl
- No tap facility
- 2 90mm waste outlets for basket strainer wastes
- Suitable for a waste disposer
- Wastes, overflows and bowl connection kit with U-bend included

Plumbing options

Plumbing kit CPK100

Model codes

- Right handed small bowl
ZERO150R
(Shown above)
- Left handed small bowl
ZERO150L (Shown right)

Fitting options



Inset



Undermounted

Accessory options



Universal wooden chopping board
CCB2

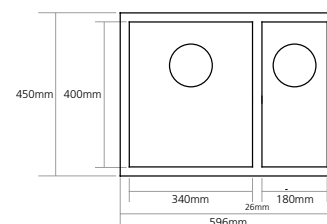


Chrome sink grid
CGRID6



Basket strainer waste decorative cover
CWC2

Dimensions



Main bowl depth 200mm
Small bowl depth 140mm
Min. base unit 600mm
Cut out size 546 x 400mm
Use template for cut-out shape
see www.caple.co.uk for template

mode individual and multiple bowls



Chic, modern and sophisticated sums up our Mode collection. These smart stainless steel bowls provide a wide variety of options that will finish off your modern kitchen – beautifully.

Mode's distinctive look combines ultra modern straight edges and subtly curved corners. The result? A contemporary sink with a touch of class.

With so many shapes and sizes to choose from, including single and double bowl options and a matching drainer,

you'll find just the right combination for your kitchen. Try two medium bowls together to create a balanced aesthetic, a small and a large bowl for contrast, or a large bowl and shallow drainer for simple elegance.



Truly versatile

Whether you prefer an inset or undermounted look, Mode sinks are flexible enough to accommodate the worktop and tap of your choice. Go professional with a spray tap or minimal with an elegant modern one. Show off your sink against a solid wooden worktop or keep it cool with a sleek granite surface.



Mode 45 drainer option – Inset or undermounted

MODED045

W 490mm



General features

- 1mm brushed stainless steel
- No tap facility
- 90mm waste outlet for a basket strainer waste
- Suitable for a waste disposer
- Waste included

Plumbing options

Plumbing kit CPK100

Accessory options



Basket strainer waste decorative cover CWC2



Universal wooden chopping board CCB2

Fitting options



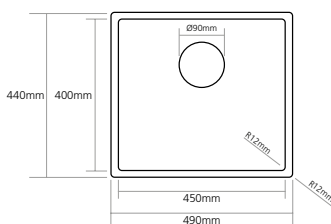
Inset



Undermounted

The Mode drainer is an elegant accompaniment to our range of Mode individual bowls. Featuring a shallow base, it offers the full practicality of a drainer whilst maintaining a sleek minimalist design.

Dimensions



Drainer depth 25mm
Min. base unit 500mm
Use template for cut-out shape
see www.caple.co.uk for template

Mode 25 – Inset or undermounted

MODE025

W 290mm



General features

- 1mm brushed stainless steel
- No tap facility
- 90mm waste outlet for a basket strainer waste
- Suitable for a waste disposer
- Waste and overflow included

Plumbing options

Plumbing kit CPK100

Fitting options



Inset



Undermounted

Accessory options

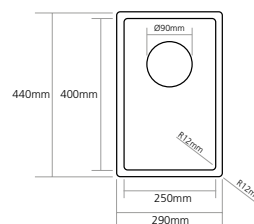


Universal wooden chopping board CCB2



Basket strainer waste decorative cover CWC2

Dimensions



Bowl depth 200mm
Min. base unit 300mm
Use template for cut-out shape
see www.caple.co.uk for template

Mode 34 – Inset or undermounted

MODE034

W 380mm

Mode 40 – Inset or undermounted

MODE040

W 440mm



General features

- 1mm brushed stainless steel
- No tap facility
- 90mm waste outlet for a basket strainer waste
- Suitable for a waste disposer
- Waste and overflow included

Plumbing options

Plumbing kit CPK100

Fitting options



Inset



Undermounted

Accessory options



Universal wooden chopping board
CCB2

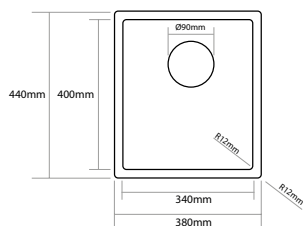


Chrome sink grid
CGRID6



Basket strainer waste decorative cover
CWC2

Dimensions



Bowl depth 200mm
Min. base unit 400mm
Use template for cut-out shape
see www.caple.co.uk for template

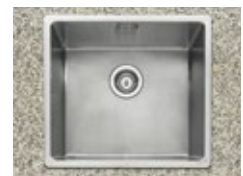
General features

- 1mm brushed stainless steel
- No tap facility
- 90mm waste outlet for a basket strainer waste
- Suitable for a waste disposer
- Waste and overflow included

Plumbing options

Plumbing kit CPK100

Fitting options



Inset



Undermounted

Accessory options



Universal wooden chopping board
CCB2

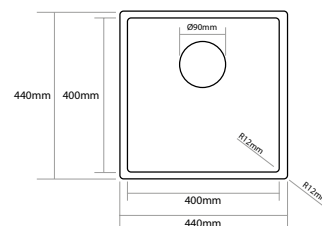


Chrome basket
CMBB19CH



Basket strainer waste decorative cover
CWC2

Dimensions



Bowl depth 200mm
Min. base unit 450mm
Use template for cut-out shape
see www.caple.co.uk for template

Mode 45 – Inset or undermounted

MODE045

W 490mm



General features

- 1mm brushed stainless steel
- No tap facility
- 90mm waste outlet for a basket strainer waste
- Suitable for a waste disposer
- Waste and overflow included

Plumbing options

Plumbing kit CPK100

Fitting options



Inset



Undermounted

Accessory options



Universal wooden chopping board CCB2

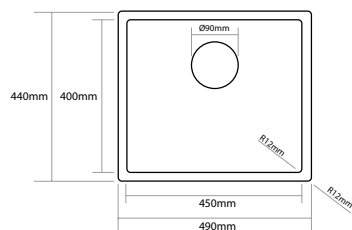


Chrome basket CMBB11CH



Basket strainer waste decorative cover CWC2

Dimensions



Bowl depth 200mm
Min. base unit 500mm
Use template for cut-out shape
see www.caple.co.uk for template

Mode 50 – Inset or undermounted

MODE050

W 540mm



General features

- 1mm brushed stainless steel
- No tap facility
- 90mm waste outlet for a basket strainer waste
- Suitable for a waste disposer
- Waste and overflow included

Plumbing options

Plumbing kit CPK100

Fitting options



Inset



Undermounted

Accessory options

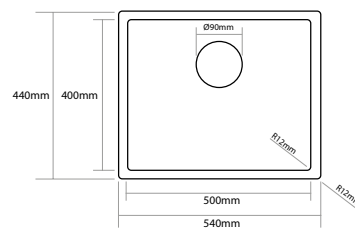


Universal wooden chopping board CCB2



Basket strainer waste decorative cover CWC2

Dimensions



Bowl depth 200mm
Min. base unit 600mm
Use template for cut-out shape
see www.caple.co.uk for template

Mode 150 – Inset or undermounted

MODE150

W 600mm



General features

- 1mm brushed stainless steel
- Left or right handed small bowl
- No tap facility
- 2 90mm waste outlets for basket strainer wastes
- Suitable for a waste disposer
- Wastes, overflows and bowl connection kit with U-bend included

Plumbing options

Plumbing kit CPK100

Model codes

- Right handed small bowl
MODE150/R
(Shown above)
- Left handed small bowl
MODE150/L (Shown right)

Fitting options



Inset



Undermounted

Accessory options



Universal wooden chopping board
CCB2

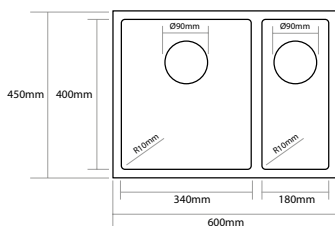


Chrome sink grid
CGRID6



Basket strainer waste decorative cover
CWC2

Dimensions



Main bowl depth 200mm
Small bowl depth 140mm
Min. base unit 600mm
Use template for cut-out shape
see www.caple.co.uk for template

Mode 3434 – Inset or undermounted

MODE3434

W 750mm



General features

- 1mm brushed stainless steel
- No tap facility
- 2 90mm waste outlets for basket strainer wastes
- Suitable for a waste disposer
- Wastes, overflows and bowl connection kit with U-bend included

Plumbing options

Plumbing kit CPK100

Fitting options



Inset



Undermounted

Accessory options



Universal wooden chopping board
CCB2

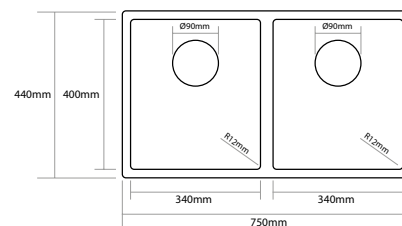


Chrome sink grid
CGRID6



Basket strainer waste decorative cover
CWC2

Dimensions



Bowl depth 200mm
Min. base unit 800mm
Use template for cut-out shape
see www.caple.co.uk for template

form individual and multiple bowls



With its gentler, rounded design the Form collection combines the advantages of stainless steel with traditional styling – a popular classic.

The charming, individual bowls come in a selection of shapes and sizes. Or if you want a more personalised combination of sinks you can choose from our multiple bowl options. Choose an undermounted sink for use with wooden, granite or solid surface worktops, or one of our inset models that can be used with laminate surfaces.

Crafted from stainless steel for that professional feel, Form sinks will keep their shiny good looks whatever you throw at them. Practical, stylish and functional, this collection meets the most demanding kitchen criteria.



Options to suit you

Do you like the clean look of individual bowls but also need a drainer? Our round inset drainer option could be the answer. For a modern twist on the traditional country cottage style, pair this drainer with a single round bowl dropped into a solid wood worktop.

Form 17 – Undermounted

FORM17/31

W 230mm



General features

- 1.2mm satin stainless steel
- No tap facility
- 90mm waste outlet for a basket strainer waste
- Suitable for a waste disposer
- Waste and overflow included

Plumbing options

Plumbing kit CPK100

Accessory options



Universal wooden chopping board
CCB2

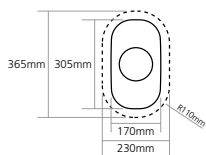


Chrome small bowl basket
CSB10CH



Basket strainer waste decorative cover
CWC2

Dimensions



Bowl depth 130mm
Min. base unit 300mm
Use template for cut-out shape
see www.caple.co.uk for template

Form 29 – Undermounted

FORM29/39

W 339mm



General features

- 1.2mm satin stainless steel
- No tap facility
- 90mm waste outlet for a basket strainer waste
- Suitable for a waste disposer
- Waste and overflow included

Plumbing options

Plumbing kit CPK100

Accessory options

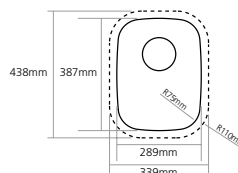


Universal wooden chopping board
CCB2



Basket strainer waste decorative cover
CWC2

Dimensions



Bowl depth 180mm
Min. base unit 400mm
Use template for cut-out shape
see www.caple.co.uk for template

Form 34 – Undermounted

FORM34/40

W 390mm



General features

- 1.2mm satin stainless steel
- No tap facility
- 90mm waste outlet for a basket strainer waste
- Suitable for a waste disposer
- Waste and overflow included

Plumbing options

Plumbing kit CPK100

Accessory options



Universal wooden chopping board CCB2

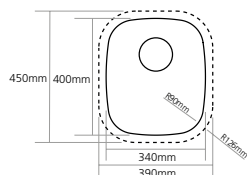


Chrome main bowl basket CMBB31CH



Basket strainer waste decorative cover CWC2

Dimensions



Bowl depth 180mm
Min. base unit 400mm
Use template for cut-out shape
see www.caple.co.uk for template

Form 46 – Undermounted

FORM46/41

W 510mm



General features

- 1.2mm satin stainless steel
- No tap facility
- 90mm waste outlet for a basket strainer waste
- Suitable for a waste disposer
- Waste and overflow included

Plumbing options

Plumbing kit CPK100

Accessory options



Universal wooden chopping board CCB2

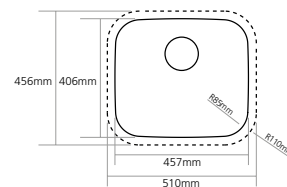


Chrome basket CMBB3CH

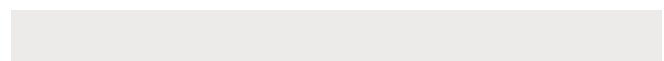
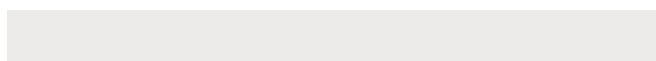


Basket strainer waste decorative cover CWC2

Dimensions



Bowl depth 180mm
Min. base unit 600mm
Use template for cut-out shape
see www.caple.co.uk for template



Form 54 – Undermounted

FORM54/40

W 589mm



General features

- 1.2mm satin stainless steel
- No tap facility
- 90mm waste outlet for a basket strainer waste
- Suitable for a waste disposer
- Waste and overflow included

Plumbing options

Plumbing kit CPK100

Accessory options

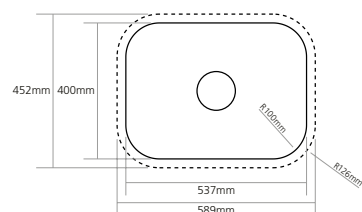


Universal wooden chopping board CCB2



Basket strainer waste decorative cover CWC2

Dimensions



Bowl depth 180mm
Min. base unit 600mm
Use template for cut-out shape
see www.caple.co.uk for template

Form 150 – Undermounted

FORM150U

W 605mm



General features

- 1.2mm satin stainless steel
- Left or right handed small bowl
- No tap facility
- 2 90mm waste outlets for basket strainer wastes
- Suitable for a waste disposer
- Wastes, overflows and bowl connection kit with U-bend included

Plumbing options

Plumbing kit CPK100

Model codes

Right handed small bowl
FORM150U/R (Shown above)

Left handed small bowl
FORM150U/L (Shown above right)

Sink configuration options



Left handed small bowl

Accessory options



Universal wooden chopping board CCB2



Chrome main bowl basket CMBB13CH

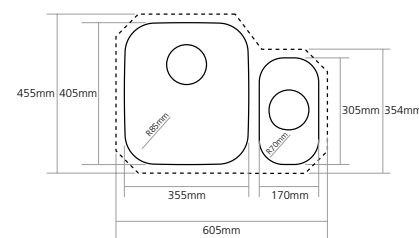


Chrome small bowl basket CSB10CH



Basket strainer waste decorative cover CWC2

Dimensions



Main bowl depth 180mm
Small bowl depth 130mm
Min. base unit 600mm
Use template for cut-out shape
see www.caple.co.uk for template

Form 150 – Undermounted

FORM150UNI

W 605mm



General features

1.2mm satin stainless steel
Reversible
No tap facility
2 90mm waste outlets for basket strainer wastes
Suitable for a waste disposer
Wastes, overflows and bowl connection kit with U-bend included

Plumbing options

Plumbing kit CPK100

Accessory options



Universal wooden chopping board CCB2



Chrome main bowl basket CMBB13CH

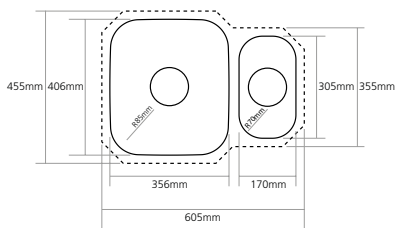


Chrome small bowl basket CSB10CH



Basket strainer waste decorative cover CWC2

Dimensions



Main bowl depth 180mm
Small bowl depth 130mm
Min. base unit 600mm
Use template for cut-out shape
see www.caple.co.uk for template

Form 200 – Undermounted

FORM4141/46

W 892mm



General features

1.2mm satin stainless steel
No tap facility
2 90mm waste outlets for basket strainer wastes
Suitable for a waste disposer
Wastes, overflows and bowl connection kit with U-bend included

Plumbing options

Plumbing kit CPK100

Accessory options



Universal wooden chopping board CCB2

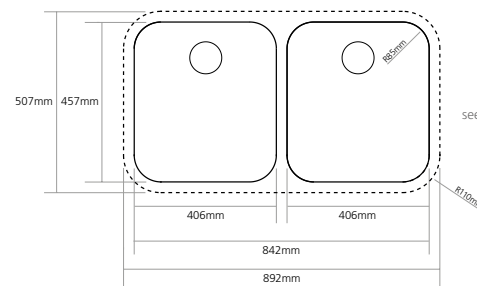


Chrome basket CMBB3CH



Basket strainer waste decorative cover CWC2

Dimensions



Main bowl depth 210mm
Small bowl depth 180mm
Min. base unit 900mm
Use template for cut-out shape
see www.caple.co.uk for template

Form 370 – Undermounted

FORM370

W 412mm



General features

0.8mm satin stainless steel
 No tap facility
 90mm waste outlet for a
 basket strainer waste
 Suitable for a waste disposer
 Waste and overflow included

Accessory options



Universal wooden
 chopping board
 CCB2

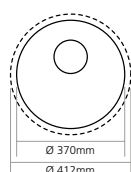


Basket strainer waste
 decorative cover
 CWC2

Plumbing options

Plumbing kit CPK100

Dimensions



Bowl depth 180mm

Min. base unit 450mm

Use template for cut-out shape
 see www.caple.co.uk for template

Form 45 – Inset

BI45

W 450mm

Form 45 inset drainer option

DI45

W 450mm



General features

- 0.8mm satin stainless steel
- No tap facility
- 90mm waste outlet for a basket strainer waste
- Suitable for a waste disposer
- Waste and overflow included

Plumbing options

- Plumbing kit CPK100
- Plumbing kit CPK200 if combined with DI45

Accessory options

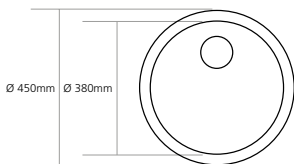


Universal wooden chopping board CCB2



Basket strainer waste decorative cover CWC2

Dimensions



Bowl depth 180mm
Min. base unit 500mm
Cut out size ø430mm



General features

- 1mm satin stainless steel
- 90mm waste outlet for a basket strainer waste

Plumbing options

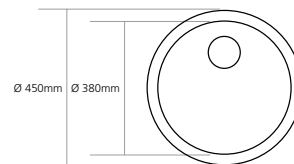
- Plumbing kit CPK100
- Plumbing kit CPK200 if combined with BI45

Accessory options



Basket strainer waste decorative cover CWC2

Dimensions



Drainer depth 40mm
Min. base unit 500mm
Cut out size ø430mm

Designed to accompany the round inset Form 45 bowl (pictured left), the handy inset Form drainer is a great way to add interest to your sink design. The sink and matching drainer combined create a perfectly symmetrical, truly classic look.

sink accessories

Choose from our selection of practical and simple-to-fit accessories to add the perfect finishing touch. From wastes in a variety of finishes to plumbing kits, it's easy to make sure every detail of your sink not only looks superb but works perfectly too.

In some cases, the waste and overflow are included with the sink, other items such as plumbing kits, are often only available separately.

The plumbing options suitable for each sink are shown in their feature specifications. In this section you will find the correct waste, fitting, plumbing kit and accessories to complement your chosen sink.



wastes, fitting kits and accessories

ALL CAPLE ACCESSORIES ARE AVAILABLE TO BUY ONLINE AT WWW.CAPLE.CO.UK



90mm Stainless steel basket strainer waste (code BSW/OF/SS2)

- Supplied with overflow connection and blanking plug



90mm basket strainer waste

- Chrome BSW/CH3
- Brushed steel BSW/BS
- No overflow
- Max sink thickness 20mm



65mm Stainless steel waste (code CAP/PW/SS3)

- Waste and plug
- For Belfast sinks with 65mm waste outlet



65mm Slotted waste (code CAP/SL/CH)

- For Belfast sinks with 65mm waste outlet
- Supplied with chrome plug, chain and screwed stay
- For sinks up to 80mm thickness



Overflow kit

- Chrome CPOF500
To be used with basket strainer waste chrome BSW/CH3
- Stainless steel CPOF600
To be used with BSW/OF/SS2 or BSW/BS



Overflow kit (code CPOF7)

- Both round and rectangular backplate connections
- Round chrome plated grill only
- Flexible tube and bolt



Soap Dispenser (code CSD/CH)

- Push down operation
- Chrome dispenser
- Height above work surface 55mm
- 350ml capacity
- Reach 100mm
- Bottle height 200mm
- Work surface cut-out of 28mm is required



Soap Dispenser (code CSD/SS)

- Push down operation
- Brushed stainless steel dispenser and liquid container
- Height above work surface 52mm
- 250ml capacity
- Reach 82mm
- Bottle height 150mm
- Work surface cut-out of 26mm is required



Universal wooden chopping board (code CBB3040)

- Beech
- 400 x 300mm



Universal wooden chopping board (code CCB2)

- Beech
- 440 x 328mm



Glass chopping board (code CGCB2)

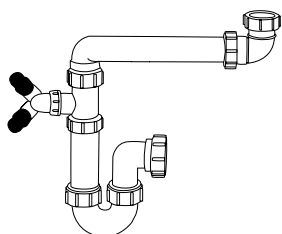
- Toughened glass
- 325 x 440mm



Basket strainer waste decorative cover (code CWC2)

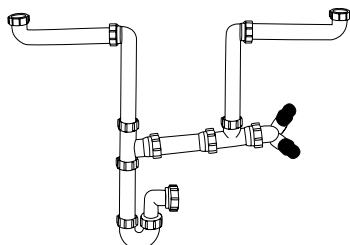
wastes and plumbing kits

ALL CAPLE ACCESSORIES ARE AVAILABLE TO BUY ONLINE AT WWW.CAPLE.CO.UK



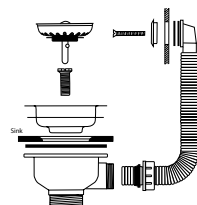
1 Bowl plumbing kit
(code CPK100)

- Provision for washing machines and dishwashers
- Water seal P trap



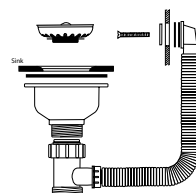
2 Bowl plumbing kit
(code CPK200)

- Provision for washing machines and dishwashers
- Water seal P trap



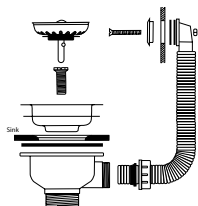
Square overflow waste kit
(code CPK1500)

- Stainless steel
- 90mm basket strainer waste
- Square overflow



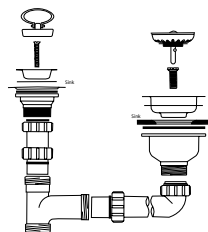
Square overflow waste kit

- Chrome - CPK1900
- Brushed steel - CPK2500
- 90mm basket strainer waste
- Square overflow



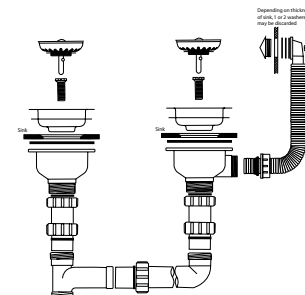
Round overflow waste kit
(code CPK500)

- Stainless steel
- 90mm basket strainer waste
- Round overflow



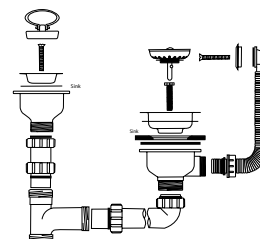
Waste and bowl connection kit
(code CPK400)

- Stainless steel
- 90mm basket strainer waste and 60mm waste and plug
- No overflow



Waste and bowl connection kit
(code CPK800)

- Stainless steel
- 2 x 90mm basket strainer wastes
- Round overflow



Waste and bowl connection kit
(code CPK1100)

- Stainless steel
- 90mm basket strainer waste and 60mm waste and plug
- Round overflow

taps

Today's taps are more than just functional objects, they are mini works of art. With so many design styles and types of technology to choose from the right tap can set the tone for your entire kitchen.





the inside story

Taps aren't as simple as they look. How they work can be quite technical. Before you make your choice here are some things to think about.

Water pressure

Some taps need more hot water pressure than others to flow at the same rate. A pressurised water heater system will provide enough water pressure for any of our taps. However, an unpressurised system may not.

You will need to calculate the pressure before choosing a tap that has a minimum requirement – otherwise it might not work properly. To do this, measure how far the water tank is above the tap in metres and divide by 10. This gives the water pressure in bars. Remember that any bends or junctions in the pipework will reduce the pressure.

If you are not sure how to calculate your hot water pressure, ask your plumber. Water pressure can be increased by adding a separate water pump.



Water efficient CSH compliant taps

We have developed a collection of taps specifically designed to conform with the water flow required for the Code for Sustainable Homes (CSH) Level 3. These taps have a flow rate of 4 litres per minute or less when measured at 3 bar of pressure. Look out for the water efficiency logo.



Single flow

In a single flow tap, there is one channel for hot and cold water to get the correct temperature required.



Dual flow

A dual flow tap contains two channels, which separate the hot and cold water until they leave the tap – this means you can change your water temperature quicker than with a single flow tap.



Valve types

You can choose from many different valve options to control how your tap works. In a single lever model, the lever is moved in two directions to control the tap. Other types of tap use either basic compression valves or the superior quarter turn valves that respond quicker. Or if you are looking for something a bit more advanced the LUC/CH tap uses a hi-tech electronically operated valve (see page 113).

which type of tap?

To help you choose from our extensive range we've put together a quick guide. It will help you choose the perfect tap for your kitchen – and your lifestyle.



Vapos 3in1 steaming water tap

This is fast becoming a household essential, a 3in1 tap that gets the job done quickly. Whether you want to make a hot beverage, blanch vegetables or reduce boiling time for pasta, Vapos taps have an instant supply of 98°C steaming water. Gone are the days of waiting for the kettle to boil.

Vapos taps supply fresh cold water, regular hot water and filtered hot water up to 98°C whenever you need it. And, the incredibly advanced filtration system means it provides the best water quality possible.

The electronic tap

Ingenuity and considered design, LUC/CH has an electronically operated valve with an intuitive LED light indicator. The subtle LED ring around the handle changes from blue to red depending on the temperature of the water flow.

The ultimate style statement with a unique slimline aesthetic, low profile base and offset control, this tap represents true innovation. The functionality is equally as impressive featuring a detachable nozzle and spray flow making it easy to move around the sink freely.





Single control

Simplicity itself, with everything controlled by a single lever – move it left and right for temperature, or up and down for pressure.



Dual control

Added control and ease of use, with a dedicated lever controlling both hot and cold water.



Pull-out taps

The only tap for professionals, pull-out taps let you do so much more at your sink. Our stylish range is brilliantly designed, with top models giving you a minimum pressure rate of 0.8 bar.



Caple Puriti

Fresh filtered water on tap? With a Caple Puriti filter tap you can have ordinary hot and cold water, as well as purified water from one single fitting – as an extra lever diverts water through the filter.

The activated carbon filter removes chlorine, rust and sediment so you can feel better about the water you consume. You might also find it improves the taste of your coffee and tea, as well as your cooking and baking.

Each filter lasts approximately six months and can easily be changed without tools. To order your replacement filters go to www.caple.co.uk for next day delivery.



**FILTER AND FIXING KIT AVAILABLE
TO BUY ONLINE AT
WWW.CAPLE.CO.UK**

**WRAS
APPROVED**

stainless steel taps





STAINLESS STEEL

If Chrome taps are not your style then Caple have an extensive range of stainless steel taps to choose from.

Stainless steel is much more than a different look and finish. Unlike Chrome taps, stainless steel taps do not have a coating, are but solid steel. Also known as Inox steel, it is an alloy with a 10%+ chromium content and this is what makes it so resistant. The chromium content forms a passive film of chromium oxide on the metal surface protecting the tap.

At Caple we don't believe in compromise. Our taps are made from the highest grade stainless steel, giving our stainless steel taps great resistance to corrosion.

But our taps are not only tough and well engineered but beautifully styled. Styles from the more classic to the absolute contemporary and with 12 in the range to choose from you are spoilt for choice. Of course, the stainless steel tap range particularly compliments the range of Caple stainless steel sink range. Bring them together they make a great finishing touch to any kitchen.



Vapos 3in1 steaming water tap



Vapos taps supply fresh cold water, regular hot water and filtered 98°C steaming water, the perfect temperature for preparing tea, blanching vegetables and assisting the cooking of pasta or rice.

Water conditioning technology provides exceptional accuracy for scale and acidity control for increased boiler protection, this also means outstanding food and beverage quality.

Quick and simple installation allows the tap, filter and boiler to be easily retrofitted. Finished in stunning stainless steel, Vapos taps exude style and practicality.



A large boiler capacity means 2.4 litres of steaming water is ready for use whenever you need it. With a temperature range of 50°C-98°C it uses less electricity than a 40W light bulb.

WRAS
APPROVED

Boiler dimensions: width 200mm, height 300mm, depth 225mm

Outstanding water filtration

Offering a new standard of water filtration technology, providing extraordinary accuracy for scale and PH control. This water filtration and conditioning technology effectively combines hardness reduction, mineral stabilization and corrosion inhibition by maintaining a controlled low carbonic acid level in the water.

It delivers the best available water quality for hot drinks by removing lime scale build up in the boiler (provided filters are installed and maintained / exchanged in line with manufacturer recommendations).

It includes DuoBlend® valve technology for the most accurate bypass ratio and a 5µm Carbon block membrane for particle protection, reducing tastes and odours such as chlorine and chlorine by-products, THM's, PAH's and pesticides such as Simazine, Atrazine, Lindane and Dieldrin.

Each filter lasts approximately six months and is easily changed without tools. Order your replacement filter cartridge (PURITI3) or full fitting kit including cartridge (PURITI4 shown below) at www.cople.co.uk for next day delivery.



REPLACEMENT FILTER AND FIXING KIT AVAILABLE TO BUY ONLINE AT WWW.CAPLE.CO.UK

Vapos 3in1 – Monobloc

VAP3IN1/SS

Vapos Quad 3in1 – Monobloc

VAPQ3IN1/SS



General features

Supplies fresh cold water, regular hot water and filtered 98°C steaming water

WRAS approved

Water conditioning technology providing exceptional accuracy for scale and acidity control for increased boiler protection, plus increased food and beverage quality.

Tap features

Solid stainless steel tap

Minimum 0.5 bar pressure required

Safety mechanism for steaming water control

Cool touch spout

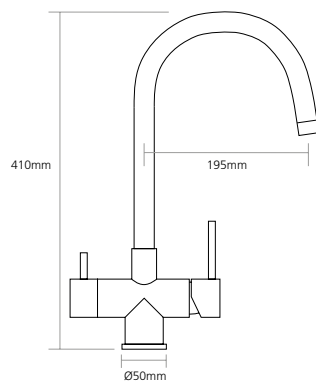
Separate flow for steaming water

Optional extras

AVAILABLE TO BUY ONLINE
WWW.CAPLE.CO.UK

Replacement filter PURIT3

Dimensions



General features

Supplies fresh cold water, regular hot water and filtered 98°C steaming water

WRAS approved

Water conditioning technology providing exceptional accuracy for scale and acidity control for increased boiler protection, plus increased food and beverage quality.

Tap features

Solid stainless steel tap

Minimum 0.5 bar pressure required

Safety mechanism for steaming water control

Cool touch spout

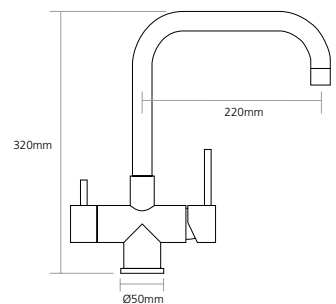
Separate flow for steaming water

Optional extras

AVAILABLE TO BUY ONLINE
WWW.CAPLE.CO.UK

Replacement filter PURIT3

Dimensions



How the 3in1 taps and filter system works

The cold water from your water supply passes through the filter into the 2.4L boiler. The water temperature can be easily adjusted from 50°C-98°C to suit your requirements by simply turning the dial located at the front of the boiler.

For steaming water use the smaller lever on the left hand side of the tap. Push down the lever to release the child safety mechanism then turn and hold to start a steady flow of steaming water, when

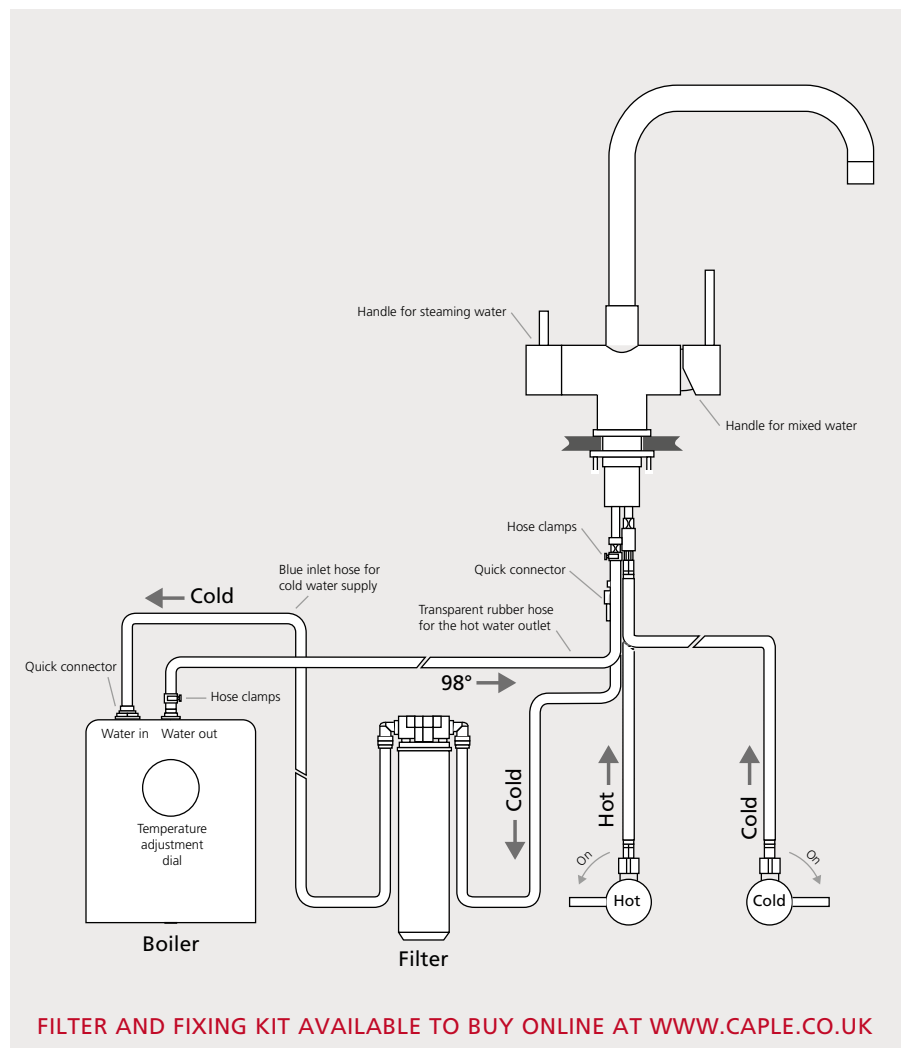
you are finished the unique spring loaded lever automatically shuts off the steaming water.

It couldn't be easier to change the filter. There is no need to cut off the water supply, just twist the used filter to release it – this automatically isolates the water supply making it easy to twist the new cartridge into place.



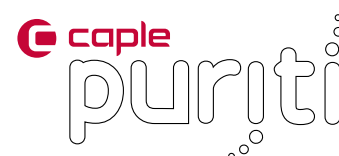
Perfect cup of tea

Due to the technologically advanced filtration system all the water's impurities are reduced, even in hard water areas. Fantastic filtration means you get the best quality tea every time.



puriti





Great looking taps in a wide range of styles and designs, and with more to them than, perhaps, first meets the eye.

At first glance our Puriti taps don't look a great deal different from any of Cadle's other beautiful taps, and like other Cadle taps they come in a range of styles.

Of course, they deliver ordinary hot and cold running water as with any other tap. However, on closer inspection you will find either a third lever, or sometimes fully integrated into the standard design. This tap supplies clear, filtered and purified water literally at the turn of a tap.

An ingenious filtration system is hidden from sight in the kitchen unit, and by turning the filtration tap, your normal

cold water supply is diverted via the Cadle filter to the tap and in to your glass. It is also great for areas with particularly hard water. By using the filtered water in kettles and cooking you greatly reduce the damaging impact of lime-scale build up in appliances and reduce the effect of water impurities during food preparation, whilst also improving tea and coffee.

So, no more filter jugs cluttering up your fridge, or plastic bottles clogging up the environment just fresh, pure, healthy water.



FILTER AND FIXING KIT AVAILABLE TO BUY ONLINE AT WWW.CADLE.CO.UK

Cadle Puriti filter AVAILABLE TO BUY ONLINE

As the filter tap is turned the normal cold water supply is redirected through a series of filtration processes including activated carbon. This removes almost all chlorine improving the taste, and other impurities such as particulates, bacteria, rust, heavy metals and pesticides, while also acting as a scale inhibitor.

It also helps maintain the pH balance of the water, which is much healthier than consuming overly acidic or alkaline normal tap water.

The Cadle Puriti filter is discreetly installed under the sink. It will be easily accessible for changing which will need to be done about every six months. This is a very straight-forward process that does not require any tools.

Compared to other filtration systems on the market, the Cadle Puriti filter can last up to 4x longer. Filtering up to 6,000 litres compared to only 300 – 1,500 litres.

Ardor Puriti – Monobloc

ARDPUR/CH



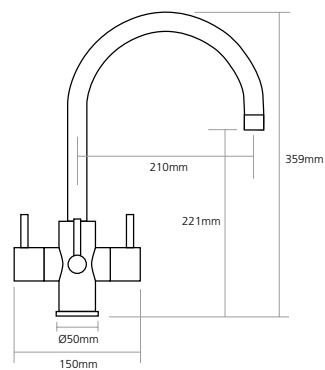
General features

- Monobloc design
- Polished chrome
- Minimum 0.3 bar pressure required
- Quarter turn ceramic valve
- Single flow
- Separate filtered supply (filter included)

Optional extras
AVAILABLE TO BUY ONLINE
WWW.CAPLE.CO.UK

Replacement filter PURITI1

Dimensions



Atmore Puriti – Monobloc

ATMPUR/CH



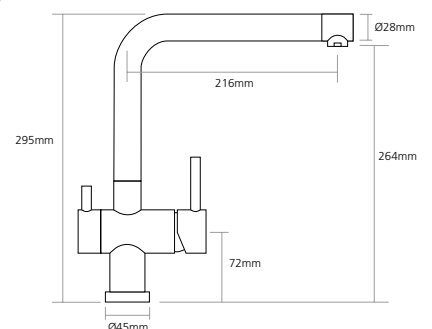
General features

- Monobloc design
- Polished chrome
- Minimum 0.1 bar pressure required
- Single lever ceramic valve
- Single flow
- Separate filtered supply (filter included)

Optional extras
AVAILABLE TO BUY ONLINE
WWW.CAPLE.CO.UK

Replacement filter PURITI1

Dimensions



Dalton Puriti – Monobloc

DALPUR/SS



General features

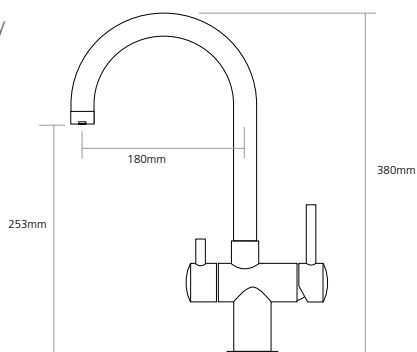
- Monobloc design
- Brushed stainless steel
- Minimum 0.5 bar pressure required
- Single lever ceramic valve
- Single flow
- Separate filtered supply (filter included)

Optional extras

AVAILABLE TO BUY ONLINE
WWW.CAPLE.CO.UK

Replacement filter PURITI1

Dimensions



Natick Puriti – Monobloc

NATPUR/CH



General features

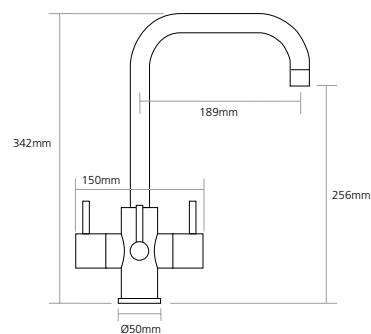
- Monobloc design
- Polished chrome
- Minimum 0.3 bar pressure required
- Quarter turn ceramic valve
- Single flow
- Separate filtered supply (filter included)

Optional extras

AVAILABLE TO BUY ONLINE
WWW.CAPLE.CO.UK

Replacement filter PURITI1

Dimensions



Layton Puriti – Single lever

LAYPUR/SS

Salus Puriti – Single lever

SALPUR/CH



General features

- Single lever design
- Brushed stainless steel
- Minimum 0.3 bar pressure required
- Single lever ceramic valve
- Single flow

FILTERED SUPPLY ONLY (filter included)

Worktop cut out 20mm required

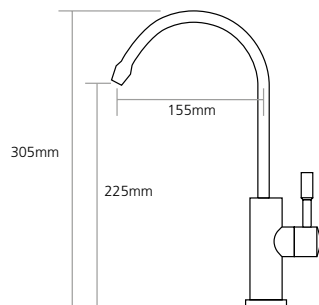
Optional extras

AVAILABLE TO BUY ONLINE

WWW.CAPLE.CO.UK

Replacement filter PURIT1

Dimensions



General features

- Single lever design
- Polished chrome
- Minimum 0.3 bar pressure required
- Single lever ceramic valve
- Single flow

FILTERED SUPPLY ONLY (filter included)

Worktop cut out 22mm required

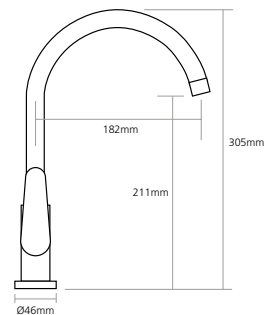
Optional extras

AVAILABLE TO BUY ONLINE

WWW.CAPLE.CO.UK

Replacement filter PURIT1

Dimensions



Vale Puriti – Monobloc

VALPUR/SS



General features

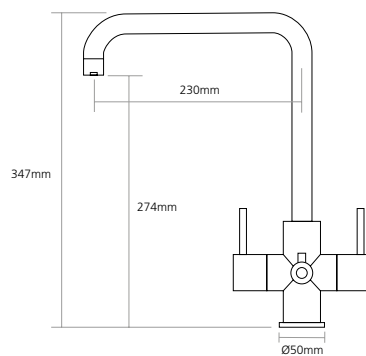
Monobloc design
 Brushed stainless steel
 Minimum 0.5 bar pressure required
 Quarter turn ceramic valve
 Single flow
 Separate filtered supply (filter included)

Optional extras

AVAILABLE TO BUY ONLINE
WWW.CAPLE.CO.UK

Replacement filter PURIT11

Dimensions



pull-out



More and more of us no longer see our kitchens as a place where we merely make something to eat but a place to experiment with new tastes and new techniques. A place to enjoy the preparation and creation of food for family and friends.

We are spending more and more time in our kitchens. Never has it been more true that they are the heart of the home.

Therefore, the demands and expectations from our kitchens, the appliances and the fittings also become more demanding. This is where Caple's range of spray taps step up to the plate.

With technology taken from professional kitchens they work on the same principle as a single lever tap design with the standard hot and cold functions. However on some models

the nozzle pulls out on an extended, flexible metal hose. By pressing the button on the side of the spray head the nozzle produces a high pressured spray or jet of water.

This is perfect for washing vegetables or fast rinsing of plates and crockery.

No busy kitchen or accomplished cook should be without one.



Pull-out and spray taps

The powerful spray makes it so much easier to wash and rinse items. Used in most professional kitchens worldwide, it's a must-have for accomplished chefs.

The secret is in the nozzle. As well as a powerful spray, some models have a long flexible hose that can be pulled out allowing you to move the tap freely around the sink.

Apex Professional – Spray

APE/SS

Aspen Pull-out

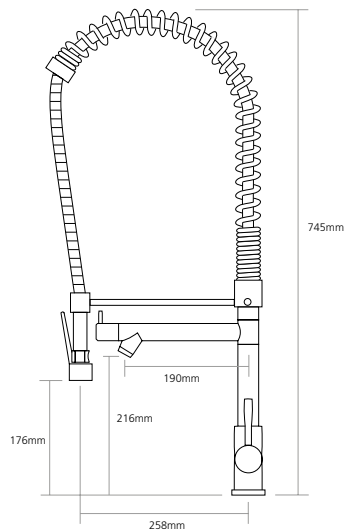
ASPS2/CH



General features

- Single lever design
- Brushed stainless steel
- Minimum 0.3 bar pressure required
- Single lever ceramic valve
- Spray and spout outlets
- Single flow

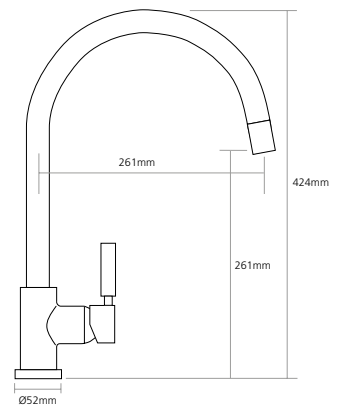
Dimensions
See diagram >



General features

- Pull-out design
- Polished chrome
- Minimum 0.5 bar pressure required
- Single lever ceramic valve
- Single flow
- Pull-out hose

Dimensions
See diagram >



Brookline Pull-out

BRO/SP/CH

Freemont Spray – Pull-out spray

FRE/CH

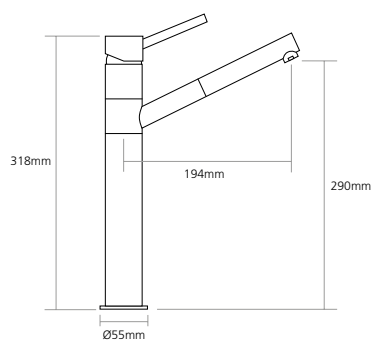


General features

- Single lever design
- Polished chrome
- Minimum 0.5 bar pressure required
- Single lever ceramic valve
- Single flow
- Pull-out hose

Dimensions

See diagram >

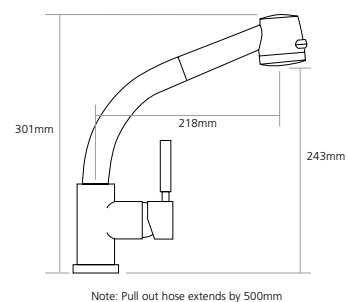


General features

- Single lever design
- Polished chrome
- Minimum 0.3 bar pressure required
- Single lever ceramic valve
- Single flow
- Push button spray head
- Pull-out hose

Dimensions

See diagram >



Landis Pull-out

LAN/SP/CH

Langley Spray - Pull-out spray

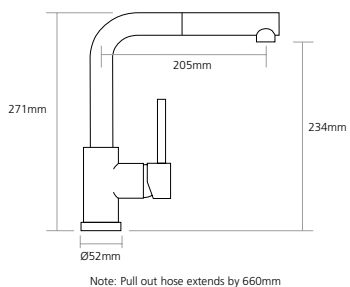
LAG/CH



General features

Single lever design
 Polished chrome
 Minimum 0.3 bar pressure required
 Single lever ceramic valve
 Single flow
 Pull-out hose

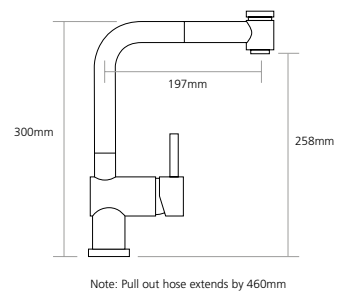
Dimensions
 See diagram >



General features

Single lever design
 Polished chrome
 Minimum 0.5 bar pressure required
 Single lever ceramic valve
 Single flow
 Push button spray head
 Pull-out hose

Dimensions
 See diagram >



Electronic spray

LUC/CH

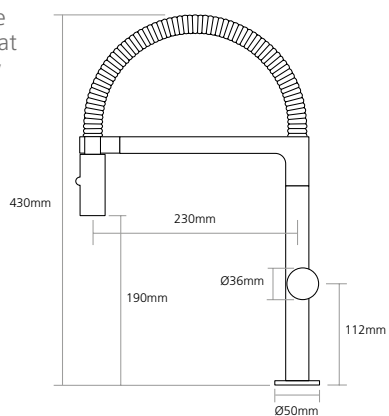


General features

- Single control design
- Polished chrome
- Ultra slim body and low profile base
- Minimum 1.0 bar pressure recommended (functions at 0.5 bar with 2ltr/min flow rate)
- LED light temperature indicator
- Electronic valve
- Single flow
- Tap or spray flow

Dimensions

See diagram >



Colour changing LED ring around the control to indicate the water temperature. Blue for cold, red for hot (shown above)

Navitis – Spray

NAV/CH

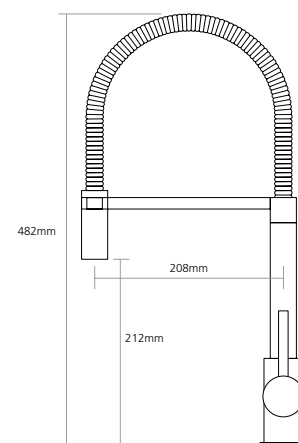


General features

- Single lever design
- Polished chrome
- Minimum 0.5 bar pressure required
- Single lever ceramic valve
- Single flow

Dimensions

See diagram >



Rawling Spray

RAW/CH

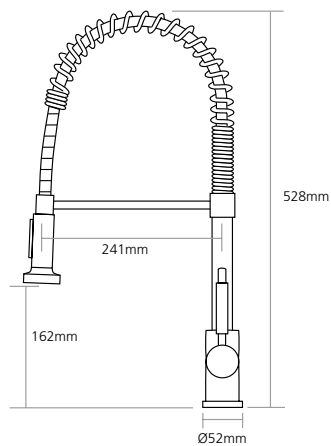


General features

- Single lever design
- Polished chrome and black
- Minimum 0.3 bar pressure required
- Single lever ceramic valve
- Single flow
- Option for tap and shower flow

Dimensions

See diagram >



Spiro Spray – Pull-out spray stainless steel

SPI/SS

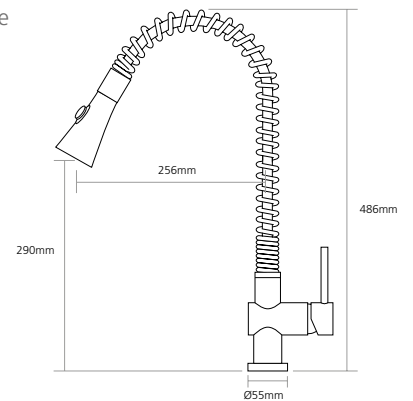


General features

- Single lever design
- Brushed stainless steel
- Minimum 0.3 bar pressure required
- Single lever ceramic valve
- Single flow
- Push button spray head
- Pull-out hose

Dimensions

See diagram >



Spiro Spray – Pull-out spray chrome

SPI/CH

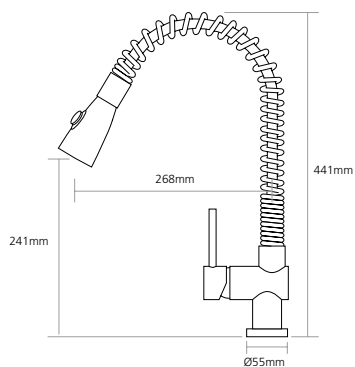


General features

- Single lever design
- Polished chrome
- Minimum 0.5 bar pressure required
- Single lever ceramic valve
- Single flow
- Push button spray head
- Pull-out hose

Dimensions

See diagram >



Note: Pull out hose extends by 410mm

Torrent Professional – Pull-out spray

TOR/CH

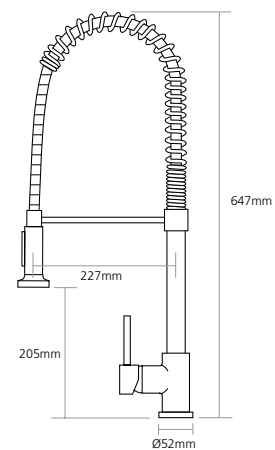


General features

- Pull-out spray design
- Polished chrome
- Minimum 0.5 bar pressure required
- Single lever ceramic valve
- Single flow
- Push button spray head
- Pull-out hose

Dimensions

See diagram >



Note: Pull out hose extends by 480mm

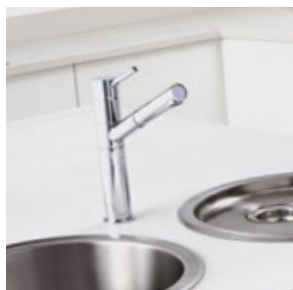
single control



Single control or single lever taps have been with us for a long time now. It is testimony to their ease of use and adaptability to great design.

With Caple's single control taps you can be sure that the engineering that goes in to one of our taps is second to none. Smooth gliding operation, robust seals and a solid finish. So now all you have to do is decide which style and

finish is best for you. With various finishes in so many designs from the classic to the cosmopolitan contemporary that will be a harder task than you might think.



Single lever

Simplicity itself, with everything controlled by a single lever – move it left and right for temperature, or up and down for pressure.



Aspen – Single lever stainless steel

ASP/SS

Aspen – Single lever chrome

ASP2/CH

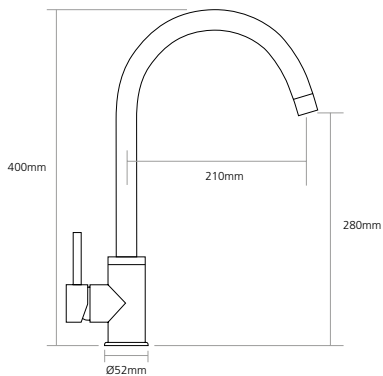


General features

- Single lever design
- Brushed stainless steel
- Minimum 0.3 bar pressure required
- Single lever ceramic valve
- Single flow

Dimensions

See diagram >

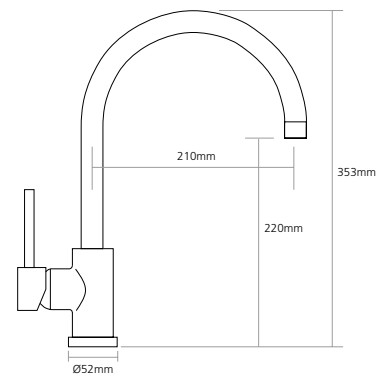


General features

- Single lever design
- Polished chrome
- Minimum 0.3 bar pressure required
- Single lever ceramic valve
- Single flow

Dimensions

See diagram >



Aspen Quad – Single lever stainless steel

ASPQ/SS

Aspen Quad – Single lever chrome

ASPQ2/CH

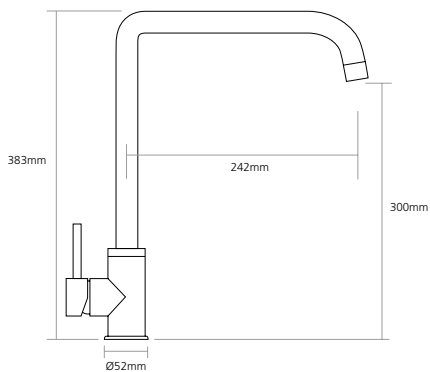


General features

Single lever design
 Brushed stainless steel
 Minimum 0.3 bar pressure
 required
 Single lever ceramic valve
 Single flow

Dimensions

See diagram >

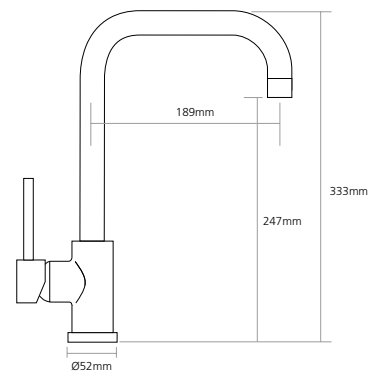


General features

Single lever design
 Polished chrome
 Minimum 0.5 bar pressure
 required
 Single lever ceramic valve
 Single flow

Dimensions

See diagram >



Atlanta – Single lever

ATL2/CH

Brookline – Single lever

BRO/CH



General features

Single lever design

Polished chrome

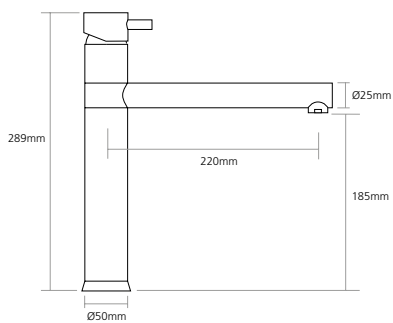
Minimum 0.5 bar pressure required

Single lever ceramic valve

Single flow

Dimensions

See diagram >



General features

Single lever design

Polished chrome

Minimum 0.3 bar pressure required

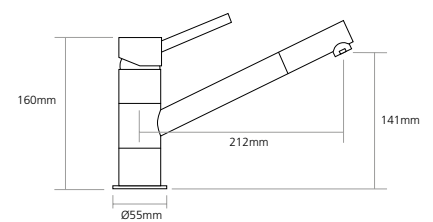
Single lever ceramic valve

Adjustable nozzle

Single flow

Dimensions

See diagram >



Danvers – Single lever

DAN/CH

Delta – Single lever

DEL/CH

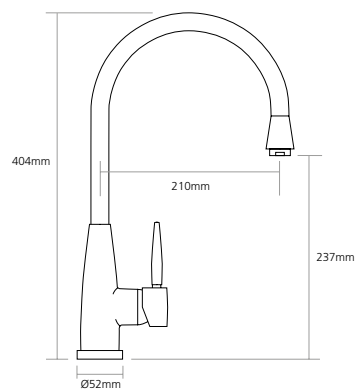


General features

Single lever design
 Polished chrome
 Minimum 0.1 bar pressure
 required
 Single lever ceramic valve
 Single flow

Dimensions

See diagram >

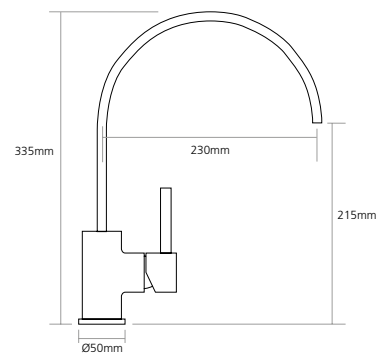


General features

Single lever design
 Polished chrome
 Minimum 0.5 bar pressure
 required
 Single lever ceramic valve
 Single flow

Dimensions

See diagram >



Dumas – Single lever

DUM/CH

Enka – Single lever

ENK/CH



General features

Single lever design

Polished chrome

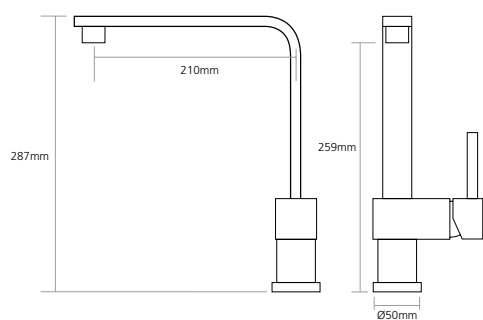
Minimum 0.1 bar pressure required

Single lever ceramic valve

Single flow

Dimensions

See diagram >



General features

Single lever design

Polished chrome

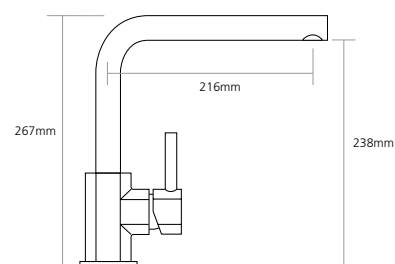
Minimum 0.3 bar pressure required

Single lever ceramic valve

Single flow

Dimensions

See diagram >



Fresno – Single lever

FRS/CH

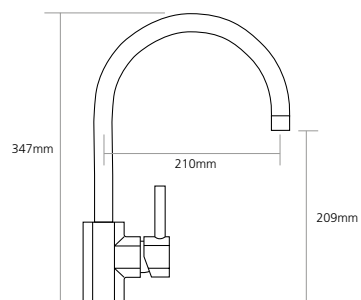


General features

Single lever design
 Polished chrome
 Minimum 0.3 bar pressure required
 Single lever ceramic valve
 Single flow

Dimensions

See diagram >



Landis – Single lever

LAN/CH

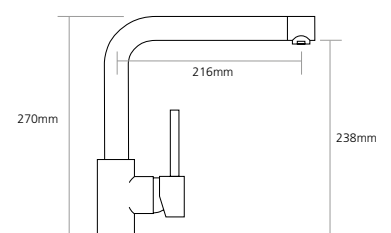


General features

Single lever design
 Polished chrome
 Minimum 0.3 bar pressure required
 Adjustable nozzle
 Single lever ceramic valve
 Single flow

Dimensions

See diagram >



Newark – Single lever

NEW/CH

Orion – Single lever

ORI2/SS

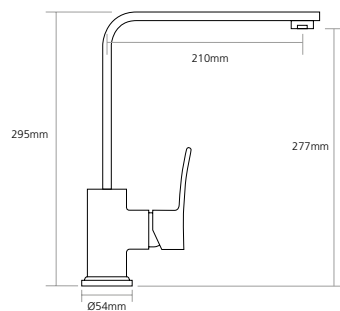


General features

- Single lever design
- Polished chrome
- Minimum 0.1 bar pressure required
- Single lever ceramic valve
- Single flow

Dimensions

See diagram >

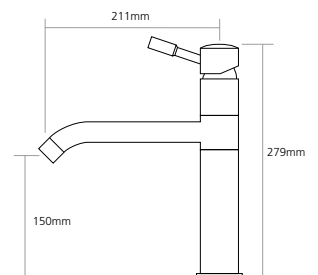


General features

- Single lever design
- Brushed stainless steel
- Minimum 0.5 bar pressure required
- Single lever ceramic valve
- Single flow

Dimensions

See diagram >



Ramsey – Single lever

RAM/CH

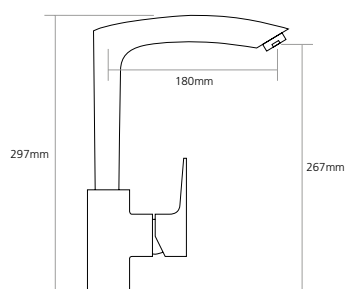


General features

- Single lever design
- Polished chrome
- Minimum 0.1 bar pressure required
- Single lever ceramic valve
- Single flow

Dimensions

See diagram >



Single Lever Deluxe – Single lever

SLD2/CH

Single Lever – Single lever

SL6/CH



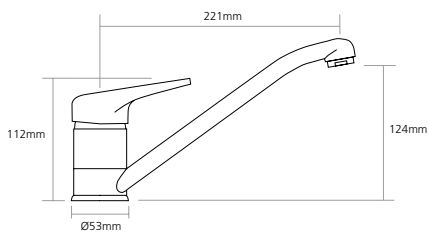
General features

- Single lever design
- Polished chrome
- Minimum 0.3 bar pressure required
- Single lever ceramic valve
- Single flow
- WRAS approved

The SLD/CH has been designed to conform to the Code for Sustainable Homes (CSH) Level 3 and has a flow rate of less than 4 litres per minute at 3 bar.

Dimensions

See diagram >

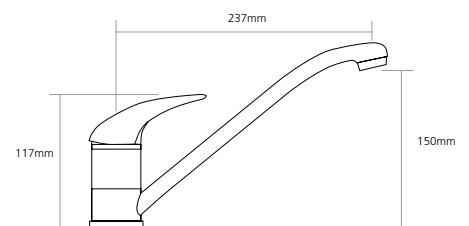


General features

- Single lever design
- Polished chrome
- Minimum 0.3 bar pressure required
- Single lever ceramic valve
- Single flow
- WRAS approved
- Single flow

Dimensions

See diagram >



Swanson - Single lever

SWA/CH

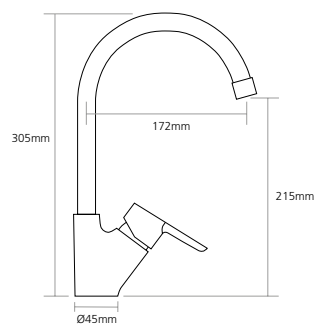


General features

- Single lever design
- Polished chrome
- Minimum 0.3 bar pressure required
- Single lever ceramic valve
- Single flow

Dimensions

See diagram >



dual control



Classic does not mean old fashioned. For many of us dual control taps are a matter of personal preference. Hot on the left, cold on the right. It's as simple as that.

But even with the classic dual control, designs vary. There is the monobloc design or bridge design.

Ceramic handles to match your ceramic sink. Sleek brushed stainless steel – a premium material and very contemporary. Chrome itself. Bright and reflective. Brushed nickel – subtle

and blemish free. Pewter. Distinctive with a traditional twist. All meticulously designed and beautifully engineered.

Whichever you choose you can be sure that they all have one thing in common – Caple's uncompromising quality.



Antique – Monobloc Brushed Nickel

ANT3/BN

Antique – Monobloc Chrome

ANT3/CH

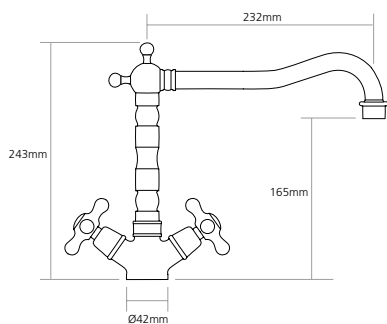


General features

- Monobloc design
- Brushed nickel
- Minimum 0.3 bar pressure required
- Quarter turn ceramic valve
- Single flow

Dimensions

See diagram >

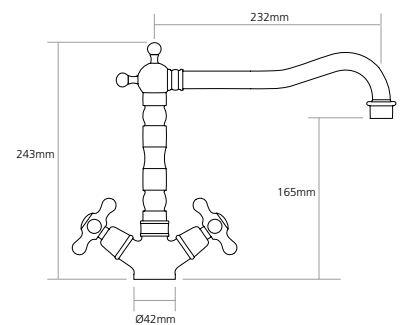


General features

- Monobloc design
- Polished chrome
- Minimum 0.3 bar pressure required
- Quarter turn ceramic valve
- Single flow

Dimensions

See diagram >



Avel – Monobloc Brushed Nickel

AVE4/BN

Avel – Monobloc Chrome

AVE4/CH

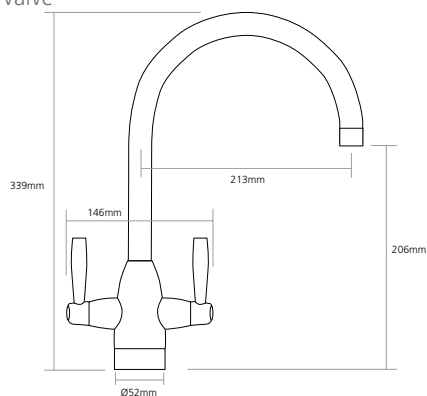


General features

Monobloc design
 Brushed nickel
 Minimum 0.3 bar pressure
 required
 Quarter turn ceramic valve
 Single flow
 WRAS approved

Dimensions

See diagram >

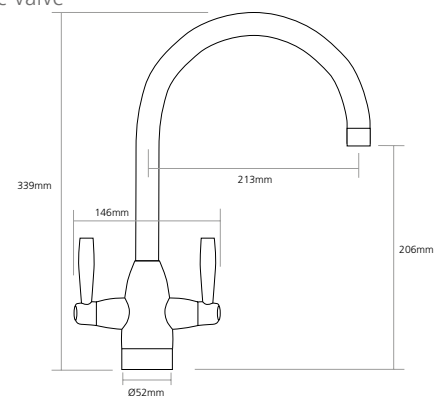


General features

Monobloc design
 Polished chrome
 Minimum 0.3 bar pressure
 required
 Quarter turn ceramic valve
 Single flow
 WRAS approved

Dimensions

See diagram >



Avel – Monobloc stainless steel

AVE/SS

Buckingham – Bridge

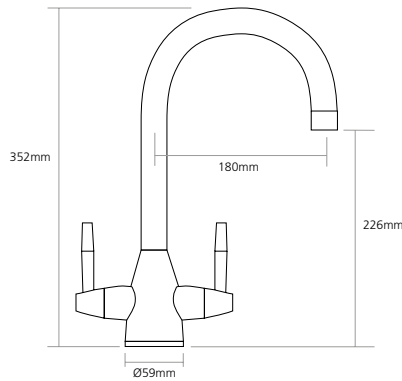
B/BR13/CH



General features

- Monobloc design
- Brushed stainless steel
- Minimum 0.3 bar pressure required
- Quarter turn ceramic valve
- Single flow

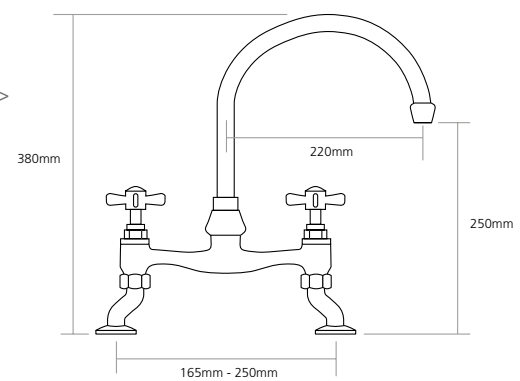
Dimensions
See diagram >



General features

- Bridge design
- Polished chrome
- Minimum 0.1 bar pressure required
- Compression valve
- Dual flow

Dimensions
See diagram >



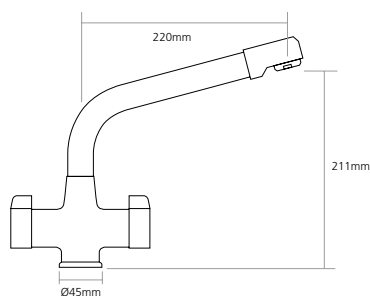
Cruciform – Monobloc

CRU/CH



General features
 Monobloc design
 Polished chrome
 Minimum 0.3 bar pressure required
 Quarter turn ceramic valve
 Dual flow
 Single flow

Dimensions
 See diagram >



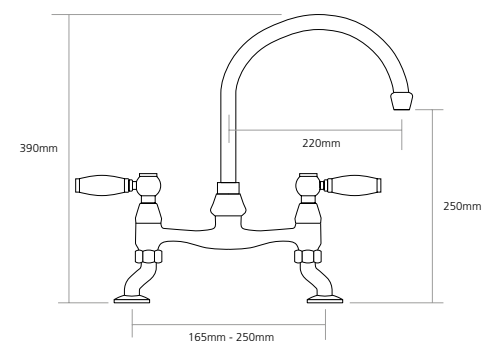
Knightsbridge – Bridge

K/BR13/CH



General features
 Bridge design
 Polished chrome
 Minimum 0.1 bar pressure required
 Quarter turn ceramic valve
 Dual flow

Dimensions
 See diagram >



Kontro – Monobloc Chrome

KON3/CH

Kontro – Monobloc stainless steel

KON/SS

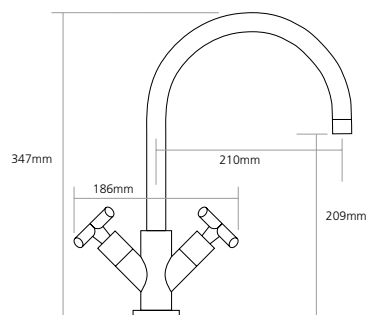


General features

Monobloc design
Polished chrome
Minimum 0.3 bar pressure
required
Quarter turn ceramic valve
Single flow

Dimensions

See diagram >

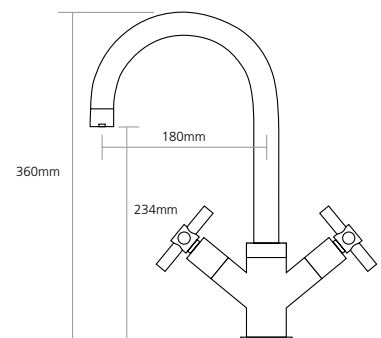


General features

Monobloc design
Brushed stainless steel
Minimum 0.3 bar pressure
required
Quarter turn ceramic valve
Single flow

Dimensions

See diagram >



Lamar – Monobloc

LAM2/SS

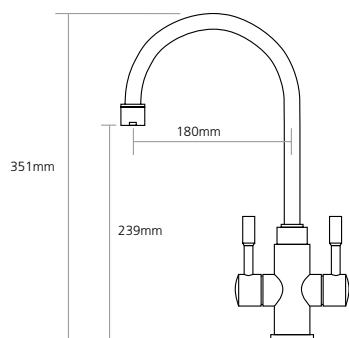


General features

Monobloc design
Brushed stainless steel
Minimum 0.5 bar pressure required
Quarter turn ceramic valve
Single flow

Dimensions

See diagram >



Level – Monobloc Brushed Nickel

LEV3/BN

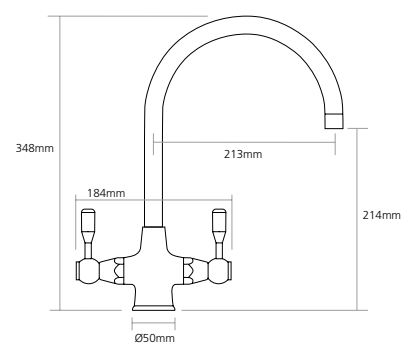


General features

Monobloc design
Brushed nickel
Minimum 0.3 bar pressure required
Quarter turn ceramic valve
Single flow

Dimensions

See diagram >



Level – Monobloc Chrome

LEV3/CH

Robo – Monobloc

ROB2/SS

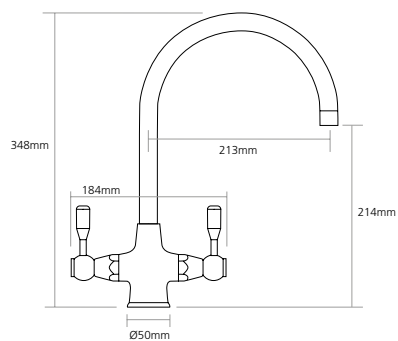


General features

Monobloc design
 Polished chrome
 Minimum 0.3 bar pressure
 required
 Quarter turn ceramic valve
 Single flow

Dimensions

See diagram >

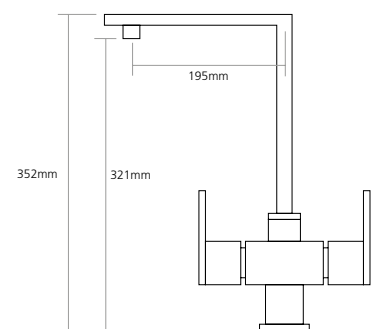


General features

Monobloc design
 Brushed stainless steel
 Minimum 0.5 bar pressure
 required
 Quarter turn ceramic valve
 Single flow

Dimensions

See diagram >



Shaftsbury – Monobloc Chrome

S/CRU4/CH

Shaftsbury – Monobloc Pewter

S/CRU3/PTR



General features

Monobloc design

Polished chrome

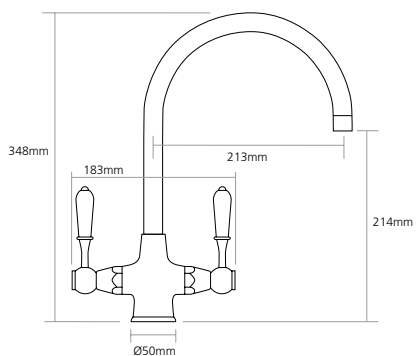
Minimum 0.3 bar pressure required

Quarter turn ceramic valve

Single flow

Dimensions

See diagram >



General features

Monobloc design

Pewter

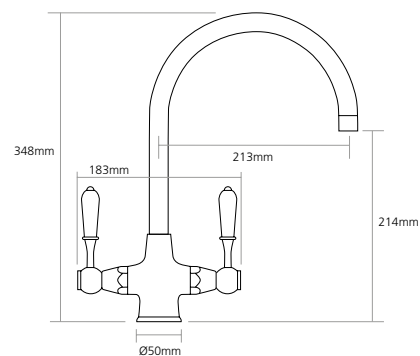
Minimum 0.3 bar pressure required

Quarter turn ceramic valve

Single flow

Dimensions

See diagram >



Washington – Monobloc chrome

WAS4/CH

Washington – Monobloc Brushed Nickel

WAS3/BN

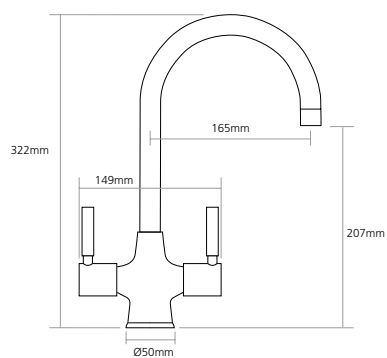



General features

Monobloc design
Polished chrome
Minimum 0.3 bar pressure
required
Quarter turn ceramic valve
Single flow
WRAS approved

Dimensions

See diagram >

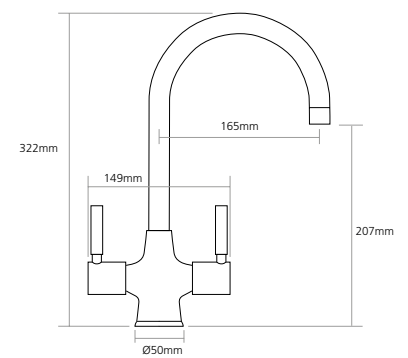


General features

Monobloc design
Brushed nickel
Minimum 0.3 bar pressure
required
Quarter turn ceramic valve
Single flow

Dimensions

See diagram >



Zuben Quad – Monobloc

ZUBQ4/CH

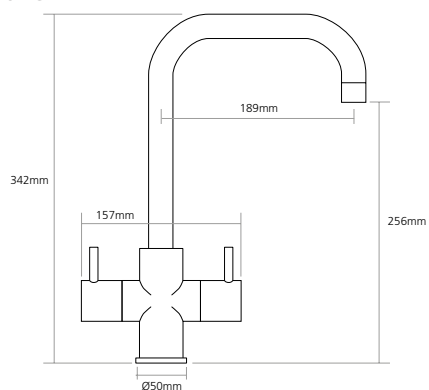
**General features**

Monobloc design
 Polished chrome
 Minimum 0.3 bar pressure required
 Quarter turn ceramic valve
 Single flow
 WRAS approved

Dimensions

See diagram >

The ZUBQ4/CH has been designed to conform to the Code for Sustainable Homes (CSH) Level 3 and has a flow rate of less than 4 litres per minute at 3 bar.



waste disposers

A waste disposer hidden away under the sink can help you recycle your food scraps and leftovers like potato peelings, chicken bones, egg shells and tea bags. It's clean, it's green and it leaves you less to clutter up your bin.

It couldn't be easier or more convenient to use. Simply turn on the cold tap and the disposer, then empty everything into the sink. The disposer grinds the food waste into fine particles and flushes the waste away down the drain.

Since more than 25% of household refuse is food, that means much less rubbish for the dustmen to take away to clog up our landfill sites, and a reduction in the amount of greenhouse gases emitted. Disposer waste can actually be recycled into a soil conditioner once it reaches the water treatment plant, so you will be making a positive contribution to your environment.



1.0hp Waste Disposal Unit

WDU100



General features

1.0hp waste disposal unit
 Continuous feed
 High speed magnet motor
 Overload protection
 Corrosion resistant 3 stage grinding system
 Easy mount installation
 Sound insulation
 Air switch WDUAIR included

3 YEAR GUARANTEE

Dimensions

Width 216mm
 Depth 216mm
 Height 437mm



Basket strainer waste decorative cover CWC2

0.75hp Waste Disposal Unit

WDU075



General features

0.75hp waste disposal unit
 Continuous feed
 High speed magnet motor
 Overload protection
 Corrosion resistant 3 stage grinding system
 Easy mount installation
 Sound insulation
 Air switch WDUAIR included

2 YEAR GUARANTEE

Dimensions

Width 216mm
 Depth 216mm
 Height 400mm



Basket strainer waste decorative cover CWC2

0.5hp Waste Disposal Unit

WDU050



General features

0.5hp waste disposal unit
 Continuous feed
 High speed magnet motor
 Overload protection
 Corrosion resistant 3 stage grinding system
 Easy mount installation
 Sound insulation
 Suitable for air switch WDUAIR (see left)

2 YEAR GUARANTEE

Dimensions

Width 175mm
 Depth 175mm
 Height 372mm



Basket strainer waste decorative cover CWC2



Chrome air switch is an optional extra with the WDU050. It comes as standard with the WDU075 and WDU100.
 WDAIR



Caple guarantees

For peace of mind, we provide the following guarantees on our sinks, taps and waste disposers.

Sinks:	5 year guarantee against manufacturing defects
Taps:	5 year guarantee on coatings and finishes 5 year guarantee on moving parts and valves 5 year guarantee on stainless steel finish
Waste disposers:	2 year guarantee on WDU050 2 year guarantee on WDU075 3 year guarantee on WDU100

Subject to terms and conditions

Issue: CST0915

Every effort has been made to reproduce colours and materials accurately, however due to the photography and print processes, colour variations may occur.

Due to our continued product development policy, we reserve the right to modify product specifications and/or dimensions without notice.

Please contact your retailer, call Caple direct on 0117 938 1900, email info@caple.co.uk, or visit our website at www.caple.co.uk for further product information.

E & O E

After Sales Customer Support

Year 1-5 Caple – telephone 0117 938 1900

All Caple accessories are available to buy online at www.caple.co.uk



sinks & taps
2015 / 2016